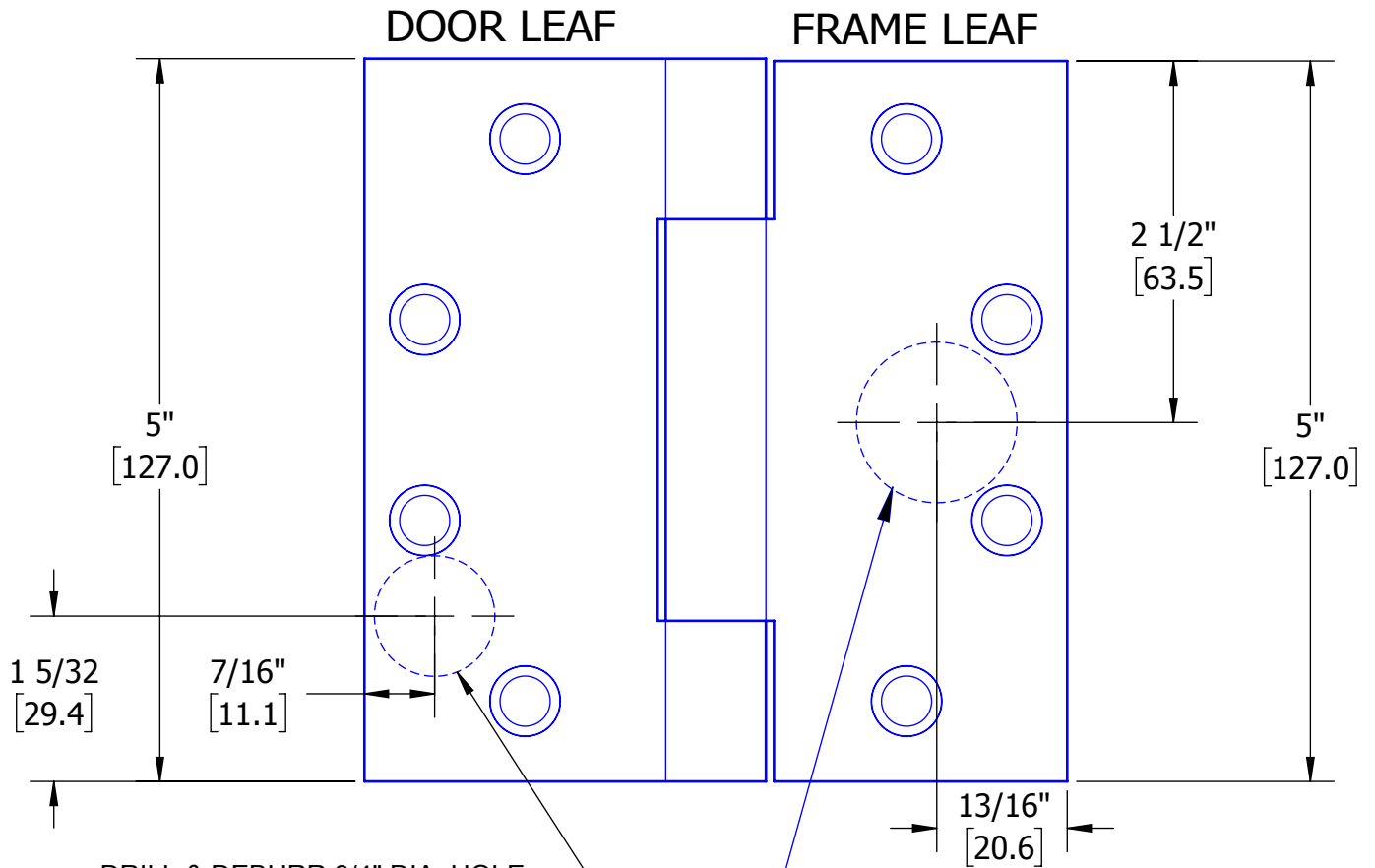


5" 3 KNUCKLE ETW HINGE TEMPLATE

MODELS ETW2-22, ETW4, ETW6, ETW8, ETW10, & ETW12 CONCEALED ELECTRIC THROUGH WIRE HINGES.

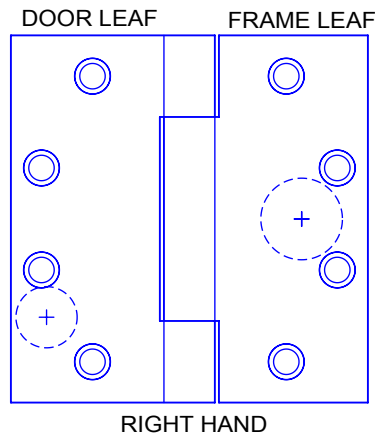
FOR USE WITH ALL HAGER 5" FULL MORTISE 3 KNUCKLE STANDARD AND HEAVY WEIGHT HINGES.



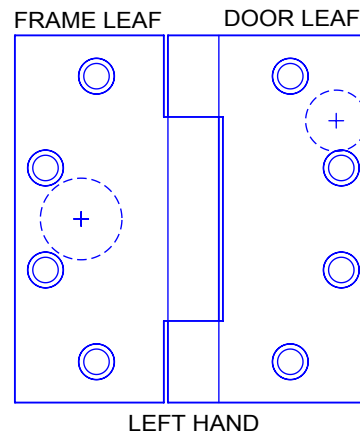
DRILL & DEBURR 3/4" DIA. HOLE IN DOOR FOR WIRES. WOOD DOOR APPLICATION REQUIRES 2" MIN. DEPTH.

DRILL & DEBURR 1" DIA. HOLE IN FRAME REINFORCEMENT FOR WIRES. WOOD FRAME APPLICATION REQUIRES 2" MIN. DEPTH.

HINGES ARE SHOWN FROM THE FRONT SIDE. HAND HINGE AS SHOWN.



RIGHT HAND



LEFT HAND

HINGES ARE NON-LOAD BEARING AND MUST BE MOUNTED IN THE CENTER POSITION ONLY.

