

REGULAR ARM & TOP JAMB TEMPLATE INSTRUCTIONS

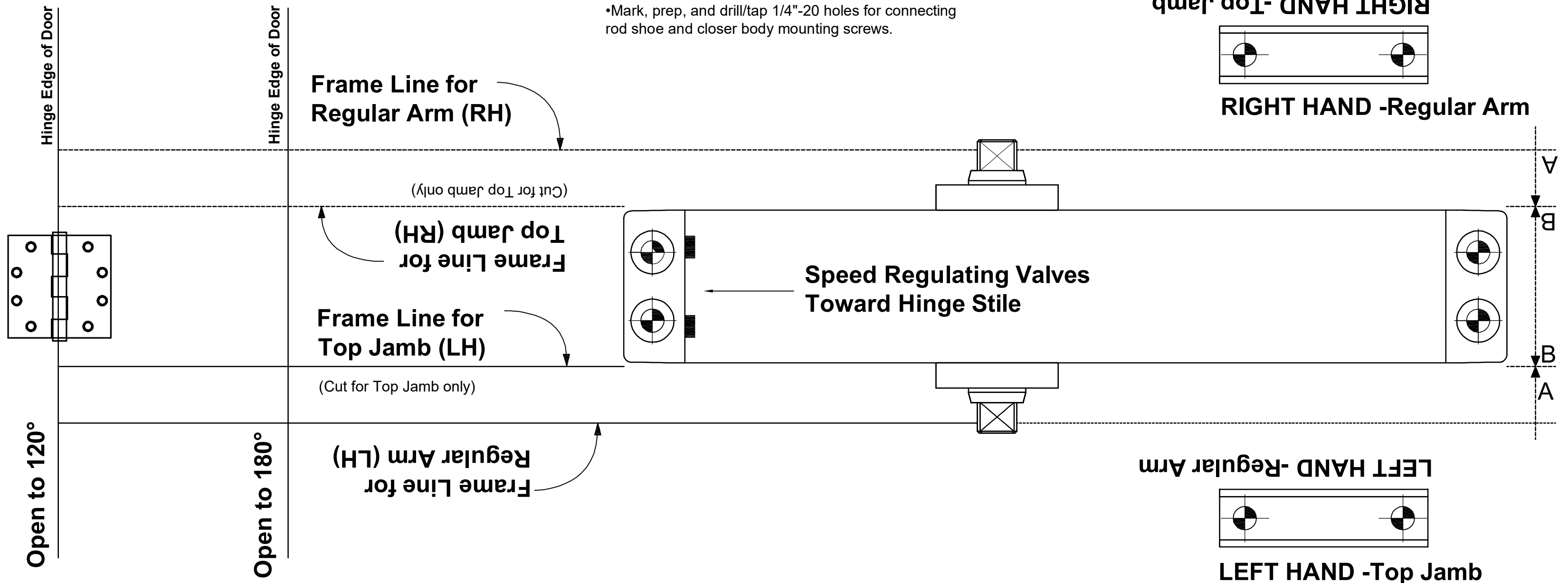
5400 Series Door Closers

Installing a Top Jamb Arm

- Select hand of door and the degree of door opening.
- Separate template sections "A" and "B".
- Fold template on the corresponding line for desired degree and hand.
- Match this line with the hinge edge of door and attach template to door.
- Be sure "Frame" line on template lines up with the top edge of the door.
- Using a square, project "Closer Projection Line" on section "A" of template onto frame and use to align and attach section "B".
- Be sure to align bottom edge of section "B" with edge of frame.
- Mark, prep, and drill/tap 1/4"-20 holes for connecting rod shoe and closer body mounting screws.

Installing a Regular Arm

- Select hand of door and degree of door opening.
- Fold template on the corresponding line for desired degree of door opening and hand.
- Match this line with the hinge edge and door and attach template to door.
- Be sure frame line on template lines up with the bottom edge of frame face.
- Mark, prep, and drill/tap 1/4"-20 holes for closer body and jamb shoe mounting screws.



 Pre-Drill 1/8" Holes