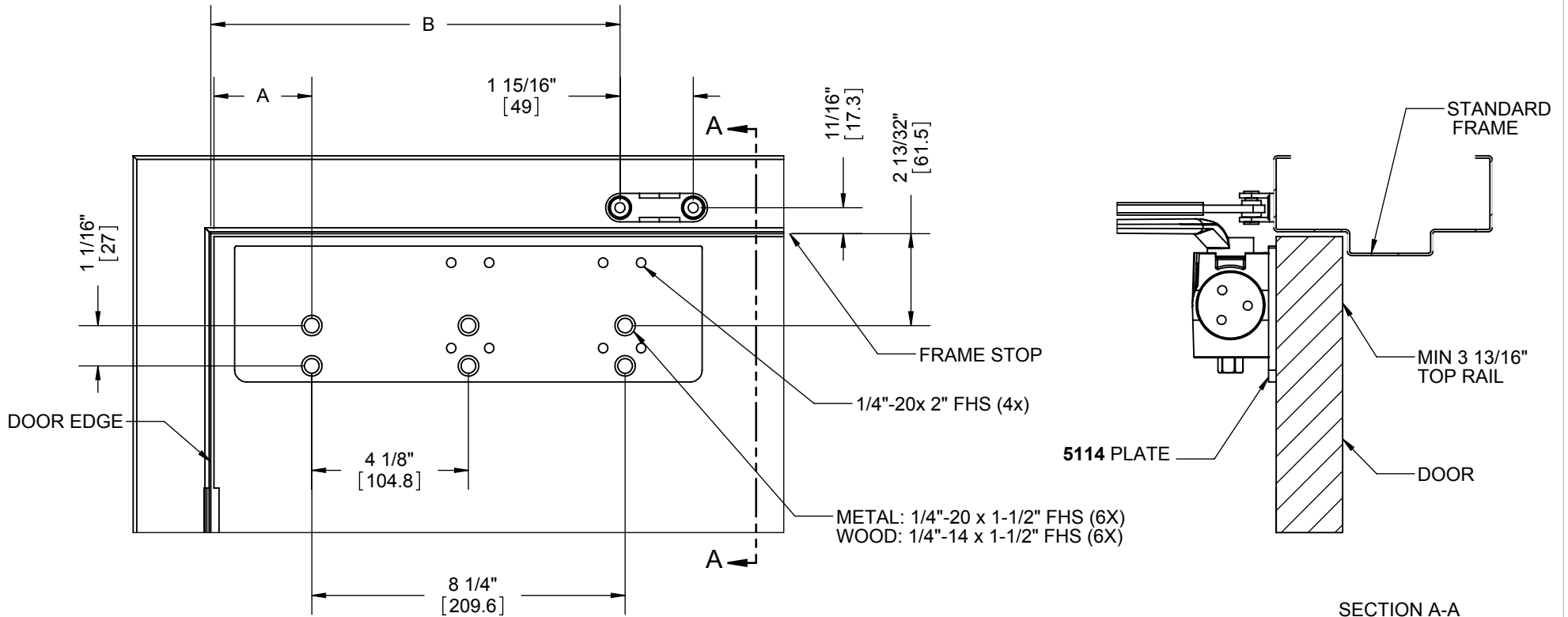


REV.	DESCRIPTION	ECO NO.	DATE
------	-------------	---------	------



DEGREE OF OPENING	DIM A	DIM B
UP TO 100°	3" (76.2mm)	12-13/16" (325.4mm)
UP TO 130°	1" (25.4mm)	10-13/16" (274.6mm)

NOTE: RIGHT HAND DOOR SHOWN, LEFT HAND OPPOSITE.



PROPRIETARY & CONFIDENTIAL
 THE INFORMATION CONTAINED IN THIS DRAWING IS THE SOLE PROPERTY OF HAGER COMPANIES. ANY REPRODUCTION IN PART OR AS A WHOLE WITHOUT THE WRITTEN PERMISSION OF HAGER COMPANIES IS PROHIBITED.

HAGER RESERVES THE RIGHT TO MAKE DESIGN CHANGES WITHOUT NOTICE. CALL HAGER ENGINEERING AT 1-800-325-9995 FOR THE LATEST REVISION DATE OF TEMPLATE.

DRAWN	NJANSEN	4/21/2008
ENG. APPR.	-	-
MATERIAL	Material <not specified>	
FINISH	-	
DO NOT SCALE DRAWING		
TOLERANCES: FRACTIONAL: ±0.015" ANGULAR: MACH: ± 1° BEND: ±1° TWO PLACE DECIMAL: ±0.01" THREE PLACE DECIMAL: ±0.004"		

5114		
REGULAR ARM MOUNTING FOR CONCEALED HOLDERS		
SIZE	DWG. NO.	REV.
A	T-CL00034	
SCALE: 1:24	WEIGHT: 236.80	SHEET 1 OF 1