

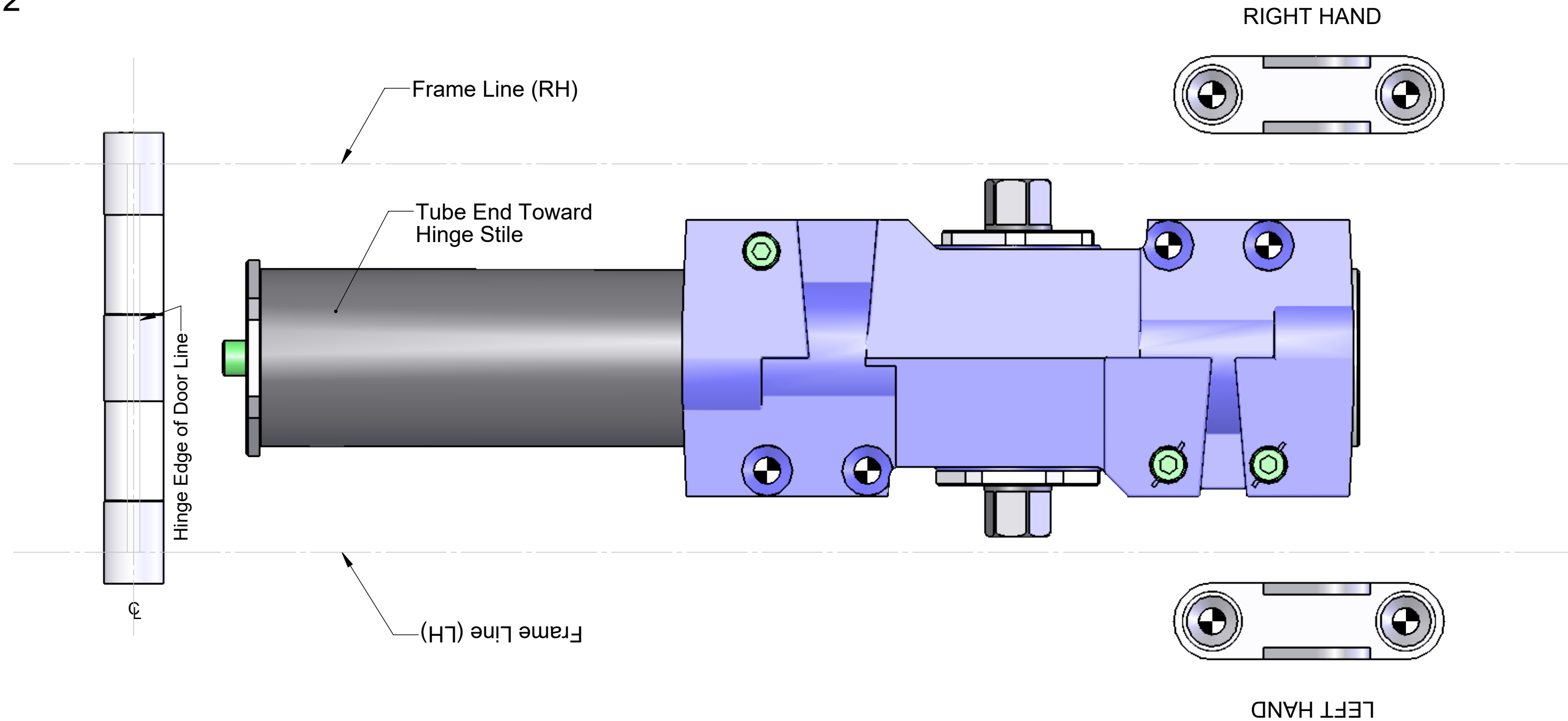
REGULAR ARM

TEMPLATE INSTRUCTIONS

5100 Series Door Closers (Regular & Hold Open Arms)

T-CL00172

03



Installing a Regular Arm:

- Select Hand of Door
- Fold template on the hinge edge of door line
- Match this line with the hinge edge of door and attach template to door
- Be sure frame line on template lines up with the bottom edge of frame face
- Mark, prep, and drill/tap 1/4"-20 holes for closer body and jamb shoe mounting screws

 Pre-Drill 1/8" Holes

