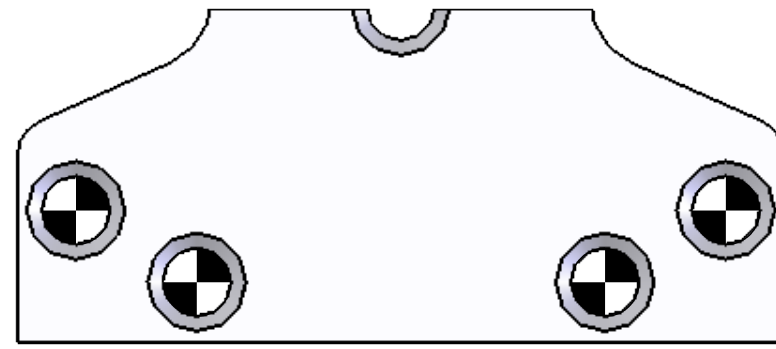
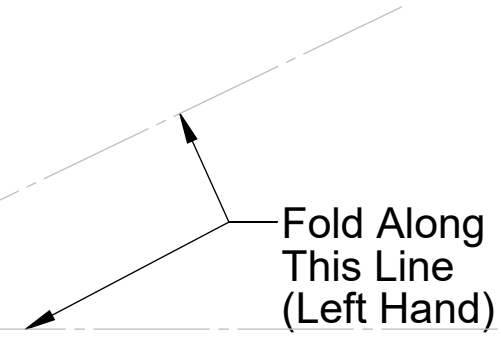


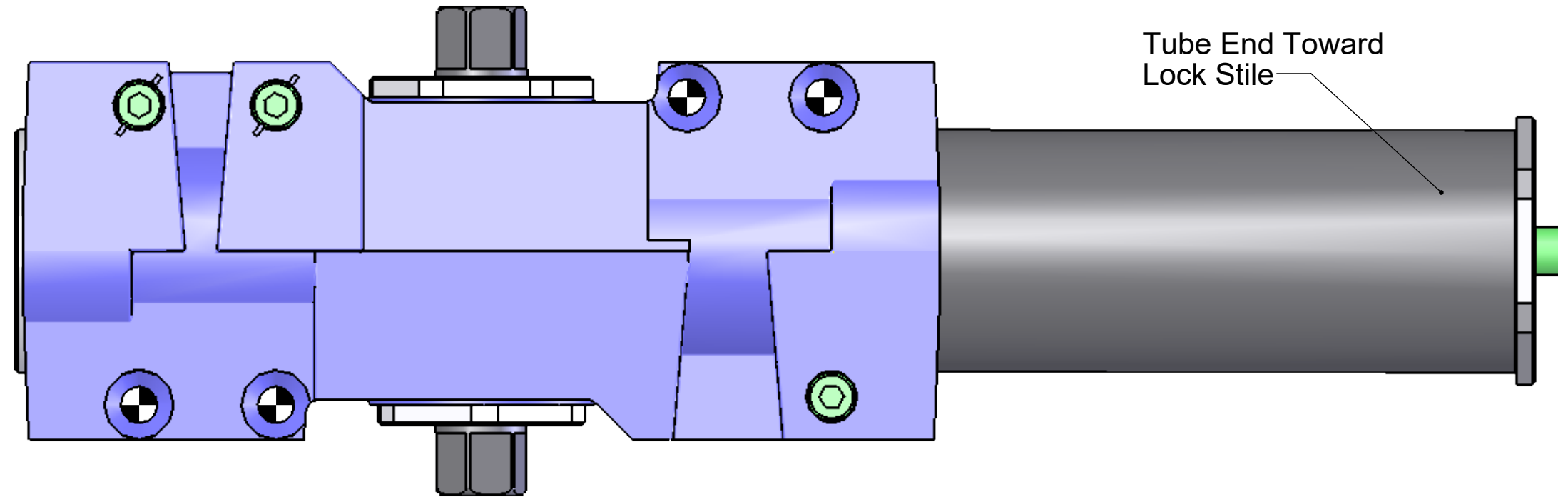
PARALLEL ARM TEMPLATE INSTRUCTIONS

5100 Series (Parallel &
Hold Open Arms)
Door Closers (180 Deg.)
T-CL00058
03



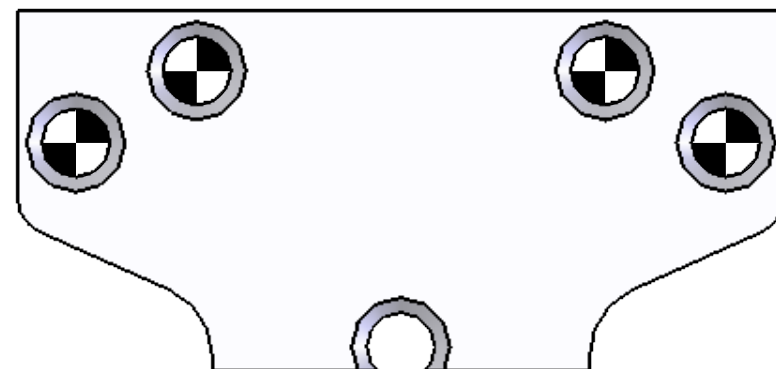
Align This Edge with Bottom Surface of Frame Stop
(Left Hand)

NOTE: SCREW IN VALVE
ON BACK OF CLOSER!



Align This Edge with Bottom Surface of Frame Stop
(Right Hand)

Fold Along
This Line
(Right Hand)



 Pre-Drill 1/8" Holes

Installing a Parallel Arm:

- Select Hand of Door
- Fold template on the hinge edge of door line
- Fold or cut upper corner and align template with hinge edge of door
- At the "Frame Stop Line" fold toward you and attach template to door
- Mark, prep, and drill/tap 1/4"-20 holes for closer body and parallel arm bracket mounting screws

