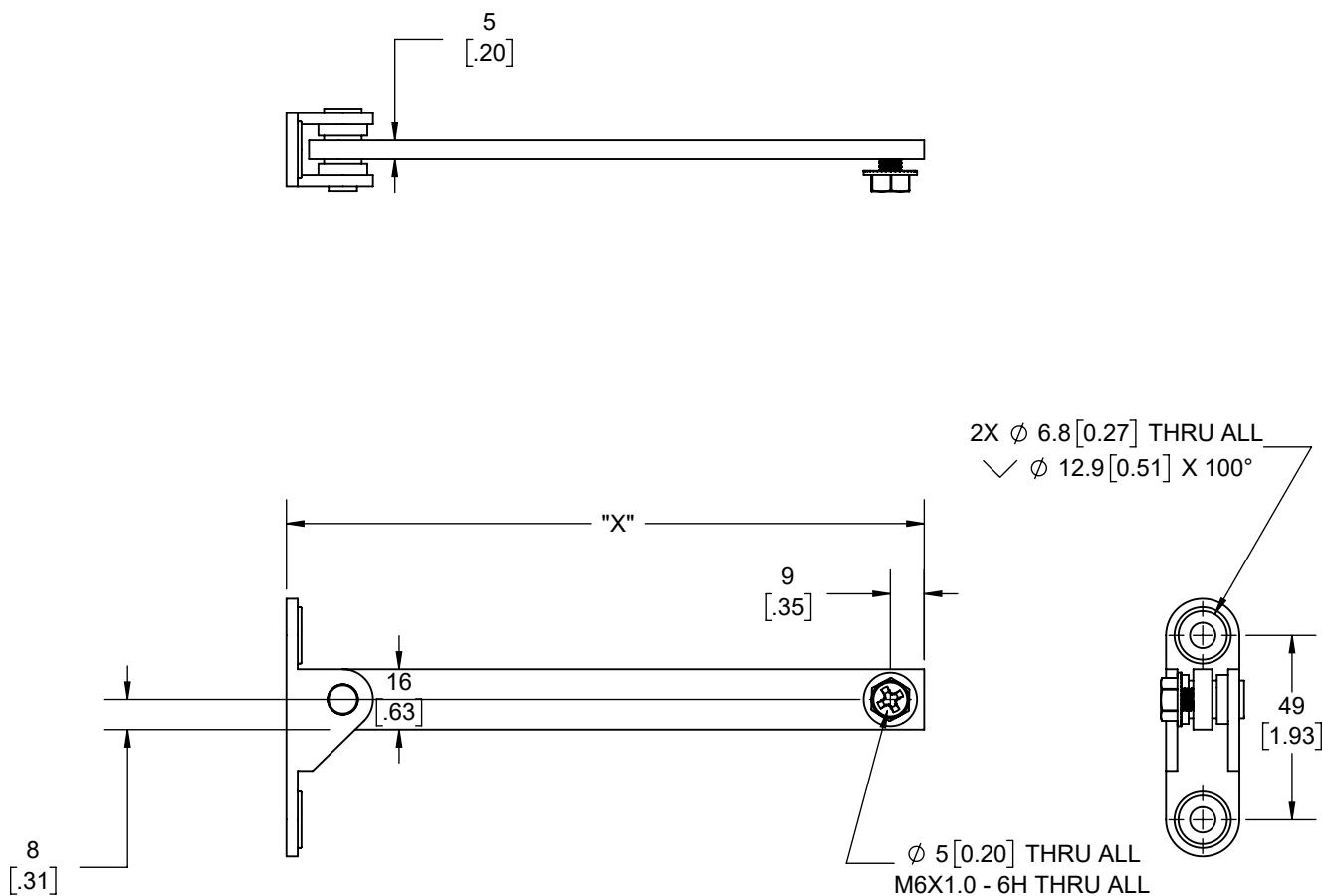


REV.	DESCRIPTION	ECO NO.	DATE
04	ADDED 5116 LONG ARM		5/29/2013
05	ADDED INCH DIMS IN CHART		10/31/17
06	Removed 5116 Extra long rod and shoe		4/25/19



DIMENSIONS IN [ ] ARE IN INCHES

PART #	DESCRIPTION	USE	"X" in mm
5103	STD ROD AND SHOE	Top Jamb with < 3" Reveal	169.5 [6.67"]
5112	LONG ROD AND SHOE	3" < Reveal < 5"	217 [8.54"]

NOTE:  
1. CAST STEEL  
2. NON HANDED



**PROPRIETARY & CONFIDENTIAL**  
THE INFORMATION CONTAINED IN THIS DRAWING IS THE SOLE PROPERTY OF HAGER COMPANIES. ANY REPRODUCTION IN PART OR AS A WHOLE WITHOUT THE WRITTEN PERMISSION OF HAGER COMPANIES IS PROHIBITED.

HAGER RESERVES THE RIGHT TO MAKE DESIGN CHANGES WITHOUT NOTICE. CALL HAGER ENGINEERING AT 1-800-325-9995 FOR THE LATEST REVISION DATE OF TEMPLATE.

DRAWN	MRJ	5/2/2008
ENG. APPR.	-	-
MATERIAL	-	Q.A.
FINISH	PAINTED	
DO NOT SCALE DRAWING		
TOLERANCES: FRACTIONAL: ±0.015" ANGULAR: MACH: ± 1° BEND: ± 1° TWO PLACE DECIMAL: ±0.01" THREE PLACE DECIMAL: ±0.004"		

5103/5112		REV.
5100 ROD AND SHOE		6
SIZE	DWG. NO.	
A	T-CL00035	
SCALE: 1:4	WEIGHT:	SHEET 1 OF 1