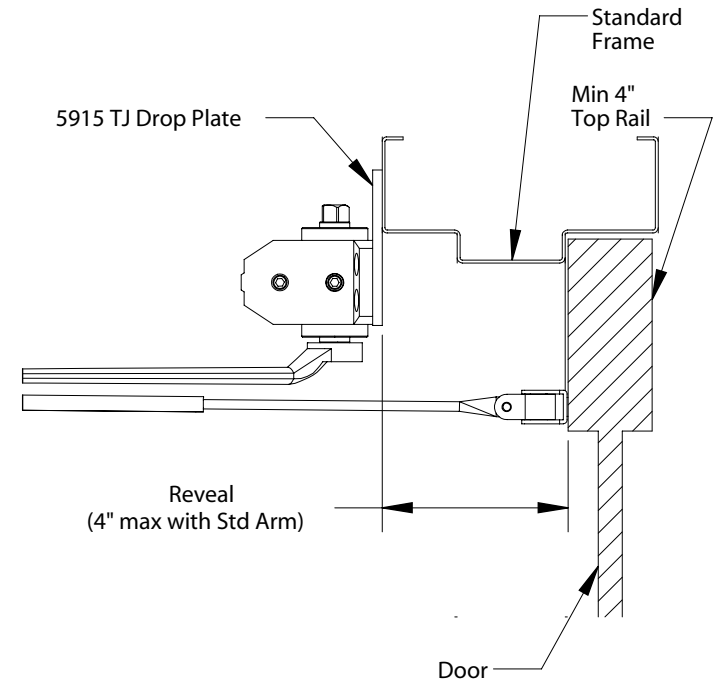
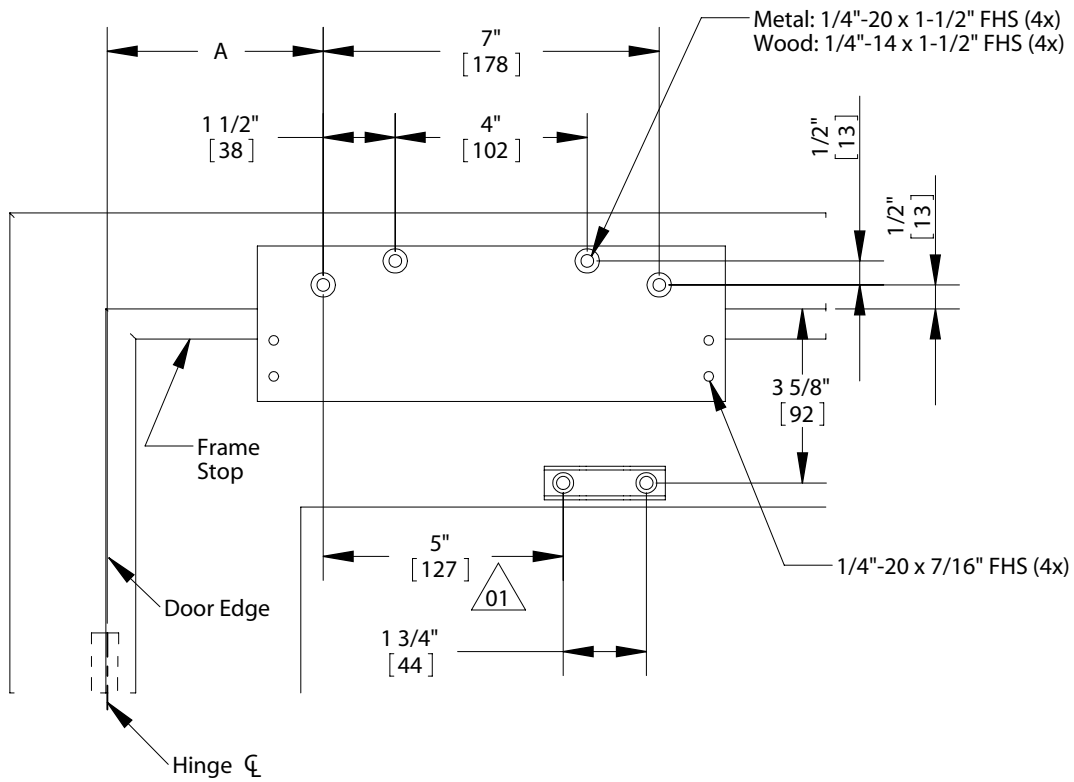


REVISIONS			
REV.	DESCRIPTION	DATE	APPROVED
01	ADDED DIMENSION	7/23/2007	



Opening	Dim. A
To 100 °	8-1/2" [216mm]
101 ° to 120 °	7" [178mm]
121 ° to 180 °	4-1/2" [114mm]

• LEFT HAND DOOR SHOWN, RIGHT HAND OPPOSITE.



HAGER RESERVES THE RIGHT TO MAKE DESIGN CHANGES WITHOUT NOTICE. CALL HAGER ENGINEERING AT 1-800-325-9995 FOR THE LATEST REVISION DATE OF TEMPLATE.

PRIMARY DIMENSIONS SHOWN IN INCHES, DIMENSIONS IN [] ARE MILLIMETERS.

DRAWN	T Sveitlis	3/8/06
ENG. APPR.		
MATERIAL	-	
FINISH	per order	
DO NOT SCALE DRAWING		
TOLERANCES: FRACTIONAL: $\pm 0.015"$ ANGULAR: MACH: $\pm 1^\circ$ BEND: $\pm 1^\circ$ TWO PLACE DECIMAL: $\pm 0.01"$ THREE PLACE DECIMAL: $\pm 0.004"$		

5915 Top Jamb Mounting Plate Template

SIZE	DWG. NO.	REV.
A	T-CL00007	01
SCALE: 1:4	WEIGHT:	SHEET 1 OF 1