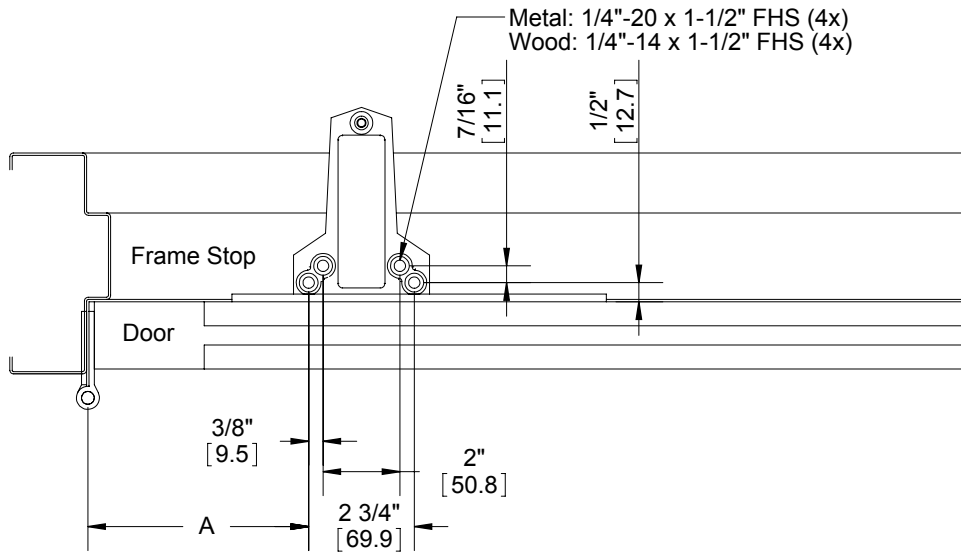
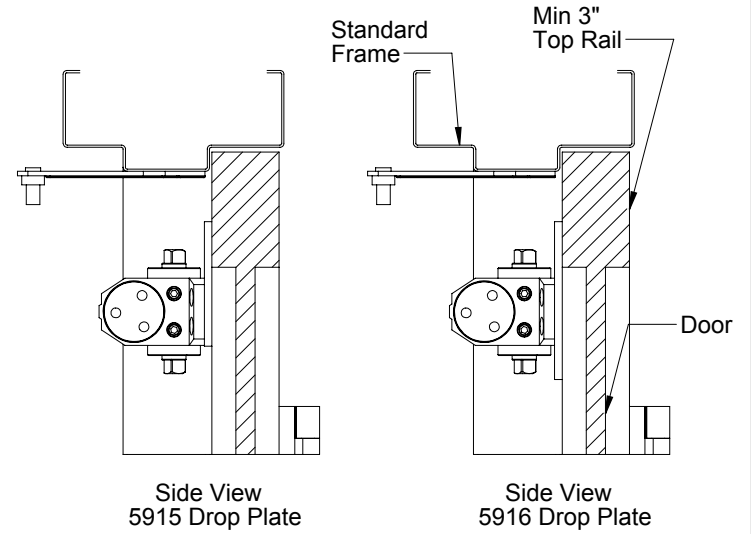
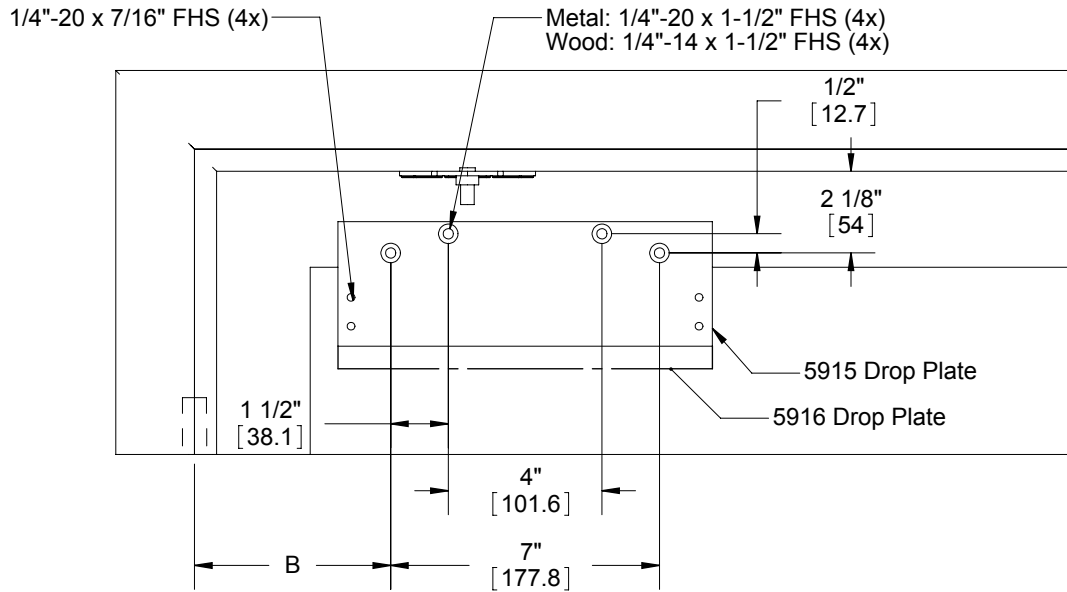


REVISIONS		
REV.	DESCRIPTION	DATE
01	ADDED NOTE	7/25/2007



- LEFT HAND DOOR SHOWN, RIGHT HAND OPPOSITE.
- DO NOT USE THIS TEMPLATE WITH HEAVY DUTY ARMS.

01

OPENING	DIMENSION A	DIMENSION B
To 100°	9-1/4" (234.9mm)	8-5/8" (219.1mm)
100 to 130°	7-3/4" (196.8mm)	7-1/8" (180.9mm)
Over 130°	5-3/4" (146mm)	5-1/8" (130.2mm)

HAGER COMPANIES
ST. LOUIS, MISSOURI

PROPRIETARY & CONFIDENTIAL
THE INFORMATION CONTAINED IN THIS DRAWING IS THE SOLE PROPERTY OF HAGER COMPANIES. ANY REPRODUCTION IN PART OR AS A WHOLE WITHOUT THE WRITTEN PERMISSION OF HAGER COMPANIES IS PROHIBITED.

HAGER RESERVES THE RIGHT TO MAKE DESIGN CHANGES WITHOUT NOTICE. CALL HAGER ENGINEERING AT 1-800-325-9995 FOR THE LATEST REVISION DATE OF TEMPLATE.

DRAWN	T Sveitis	3/2/06
ENG. APPR.		
Q.A.		
FINISH	per order	
DO NOT SCALE DRAWING		

TOLERANCES:
FRACTIONAL: ±0.015"
ANGULAR: MACH: ± 1° BEND: ±1°
TWO PLACE DECIMAL: ±0.01"
THREE PLACE DECIMAL: ±0.004"

5915 & 5916 Narrow Top Rail PA Mounting Plate Template

SIZE DWG. NO. **T-CL00006** REV. **01**

SCALE: 1:8 WEIGHT: SHEET 1 OF 1