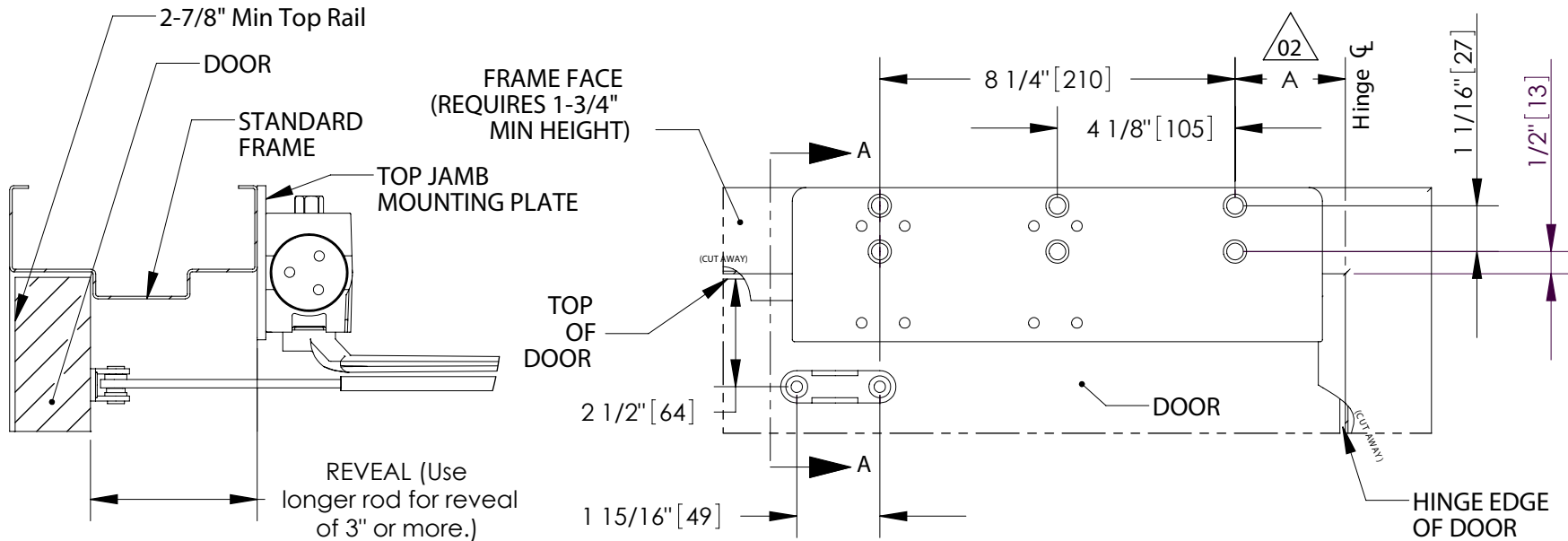


REVISIONS			
REV.	DESCRIPTION	DATE	APPROVED
01	ADDED DIMENSION FOR CLARITY	9/6/2006	MAM
02	ADDED DIMENSION AND CHART	7/18/2007	



SECTION A-A  
SCALE 1 : 4

Opening	Dimension A
Up to 90°	4-5/8" (117.4mm)
90° to 120°	2-5/8" (66.7mm)
120° to 150°	1-7/8" (47.6mm)

- RIGHT HAND SHOWN, LEFT HAND OPPOSITE.

SCREW PACK INCLUDES:  
 6PCS. 1/4-14 X 1-1/2" SELF TAPPING FLAT HEAD WOOD SCREW  
 6PCS. 1/4-20 X 1-1/2" SELF TAPPING MACHINE SCREW  
 4PCS. 1/4-20 X 2" FLAT HEAD MACHINE SCREW



HAGER RESERVES THE RIGHT TO MAKE DESIGN CHANGES WITHOUT NOTICE. CALL HAGER ENGINEERING AT 1-800-325-9995 FOR THE LATEST REVISION DATE OF TEMPLATE.

PRIMARY DIMENSIONS SHOWN IN INCHES, DIMENSIONS IN [ ] ARE MILLIMETERS.

MATERIAL	Material <not specified>
FINISH	per order
DO NOT SCALE DRAWING	

DRAWN	T Sveitis	9/16/05
ENG. APPR.		
Q.A.		
TOLERANCES:		
FRACTIONAL: ±0.015"		
ANGULAR: MACH: ± 1° BEND: ±1°		
TWO PLACE DECIMAL: ±0.01"		
THREE PLACE DECIMAL: ±0.004"		

5114 Top Jamb Mounting Plate Template

SIZE	DWG. NO.	REV.
A	T-CL00004	02
SCALE: 1:4	WEIGHT: -	SHEET 1 OF 1