

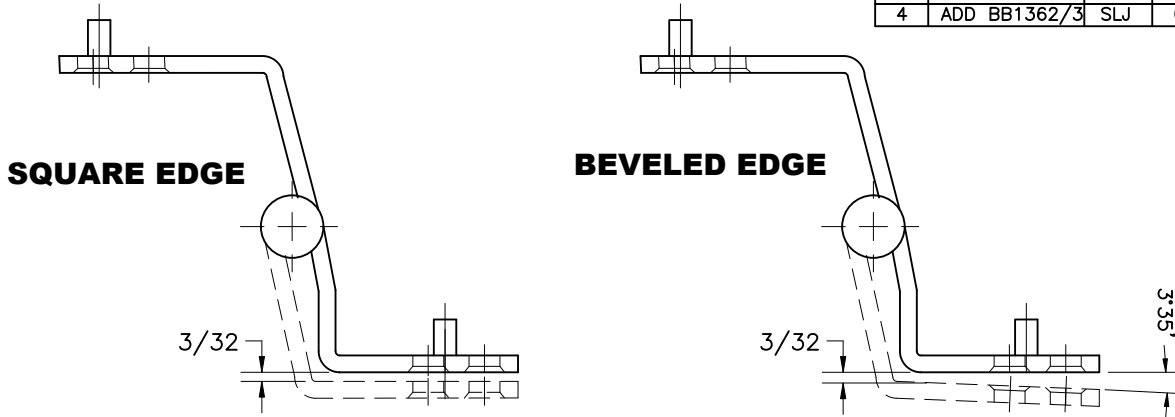
FOR BEVELED & SQUARE EDGE DOORS
BEVELED EDGE HINGE SHOWN

**FULL MORTISE
TEMPLATE HINGE ELECTRIC
THRU WIRE TYPE ETW**

SIZE: 4 1/2"

Template No. T624

No.	REVISION	BY	DATE
1	ECO CT07016	DW	4.12.07
2	ECO CT04020	SLJ	10.19.09
3	ADDED BB1262	SLJ	10.18.10
4	ADD BB1362/3	SLJ	02.06.20

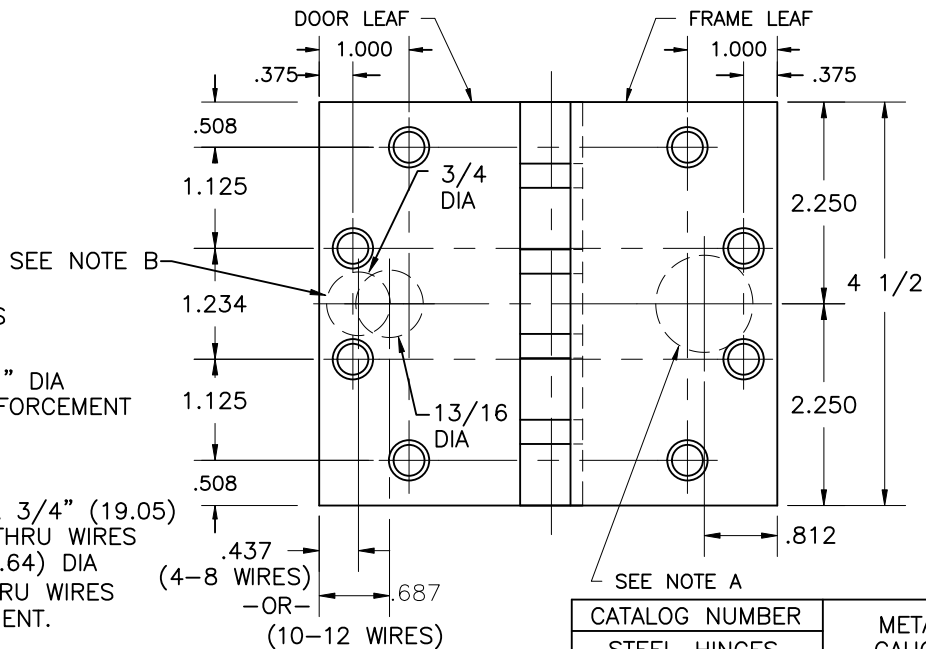


ETW MAXIMUM
ELECTRICAL RATING
CONTACT THRU WIRE
VOLTS: 48V DC
AMPERES:
3.5A CONTINUOUS CURRENT
16.0A CURRENT INRUSH
(300 MILLISECONDS)

-DO NOT SCALE-
DRILLING INSTRUCTIONS

NOTE A:
DRILL AND DEBURR 1" DIA
HOLE IN FRAME REINFORCEMENT
FOR THRU WIRES.

NOTE B:
DRILL AND DEBURR A 3/4" (19.05)
DIA HOLE FOR 4-8 THRU WIRES
-OR- A 13/16" (20.64) DIA
HOLE FOR 10-12 THRU WIRES
IN DOOR REINFORCEMENT.



CATALOG NUMBER	METAL GAUGE
BB1362/BB1262 / FOR SQUARE EDGE DOORS	.180
BB1363/BB1263 / FOR BEVELED EDGE DOORS	.180

Machine Screw Size- 12-24 x 1/2" F.H.
Wood Screw Size- No. 12 x 1 1/4" F.H.

ALL DIMENSIONS ARE IN INCHES.

Designed to swing doors completely clear of the opening when door is opened 95°. When opened 90°, door projects 11/64 (4.37) past stop of jamb.

NOTE: This hinge alters the normal pivot point of door. For door closers, friction or overhead door holders to be used in conjunction with this hinge, consult manufacturer of the device for application details.

Hospital type template hinges conform to the above screw size and location. They are designated by "HT" to catalog number.

Hager template hinges are made in gauge and with screw holes located to conform to ANSI-A156.7.



HAGER RESERVES THE RIGHT TO MAKE
DESIGN CHANGES WITHOUT NOTICE. CALL
HAGER ENGINEERING AT 1-800-325-9995
FOR LATEST REVISION DATE OF TEMPLATE.

HAGER COMPANIES
139 VICTOR STREET
P.O. BOX 12300
ST. LOUIS, MISSOURI 63157-0300