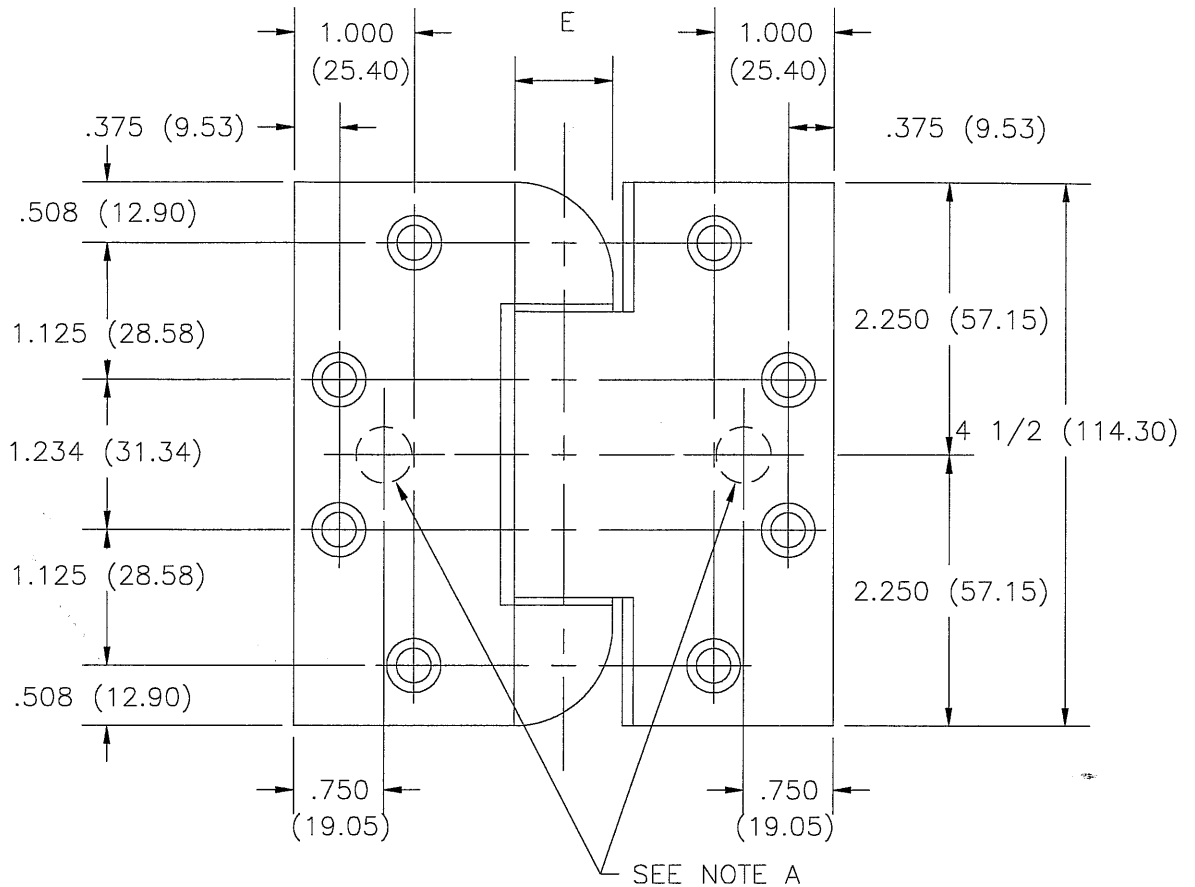


FULL MORTISE REVERSE SAFETY STUD TEMPLATE HINGES

Template No. T556

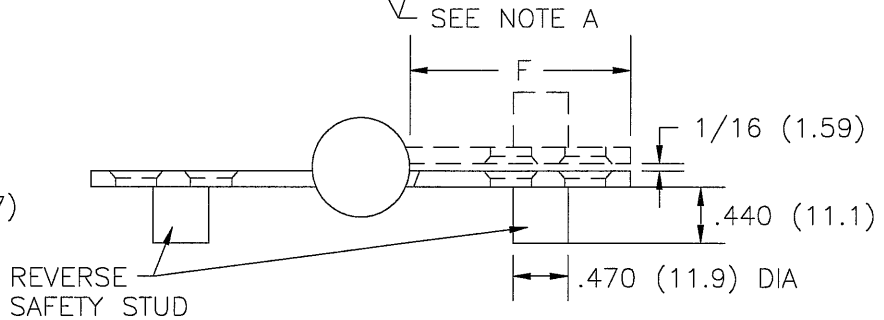
No.	REVISION	BY	DATE
1	ECO CT05083	RAM	1-26-06
2	ECO CT04044	MRJ	6-20-08

SIZES: 4 1/2 x 4 1/2 (114.30 X 114.30)



DRILLING INSTRUCTIONS

NOTE A:
DRILL AND DEBURR ϕ 1/2 (12.7)
HOLES IN DOOR AND FRAME
REFINFORCEMENT FOR STUDS.



-DO NOT SCALE-

CATALOG NUMBER	METAL GAUGE	(E) KNUCKLE DIAMETER	(F) DISTANCE FROM EDGE OF LEAF TO SWAGE LINE
STAINLESS STEEL HINGES			4 1/2 X 4 1/2 (114.30 X 114.30)
IHTHB953RSS	.187 (4.75)	.890 (22.6)	1 3/4 (44.5)

ALL NON-BRACKETED DIMENSIONS ARE IN INCHES, ALL BRACKETED DIMENSIONS ARE IN MILLIMETERS.

Machine Screw Size- 1/4-20 x 1/2" F.H. TORX

Hospital type template hinges conform to the above screw size and location. They are designated by "HT" to catalog number.

Hager template hinges are made in size with screw holes located to conform to ANSI-A156.7.

HAGER RESERVES THE RIGHT TO MAKE
DESIGN CHANGES WITHOUT NOTICE. CALL
HAGER ENGINEERING AT 1-800-325-9995
FOR LATEST REVISION DATE OF TEMPLATE.

HAGER COMPANIES
139 VICTOR STREET
P.O. BOX 12300
ST. LOUIS, MISSOURI 63157-0300

Template No. T556

