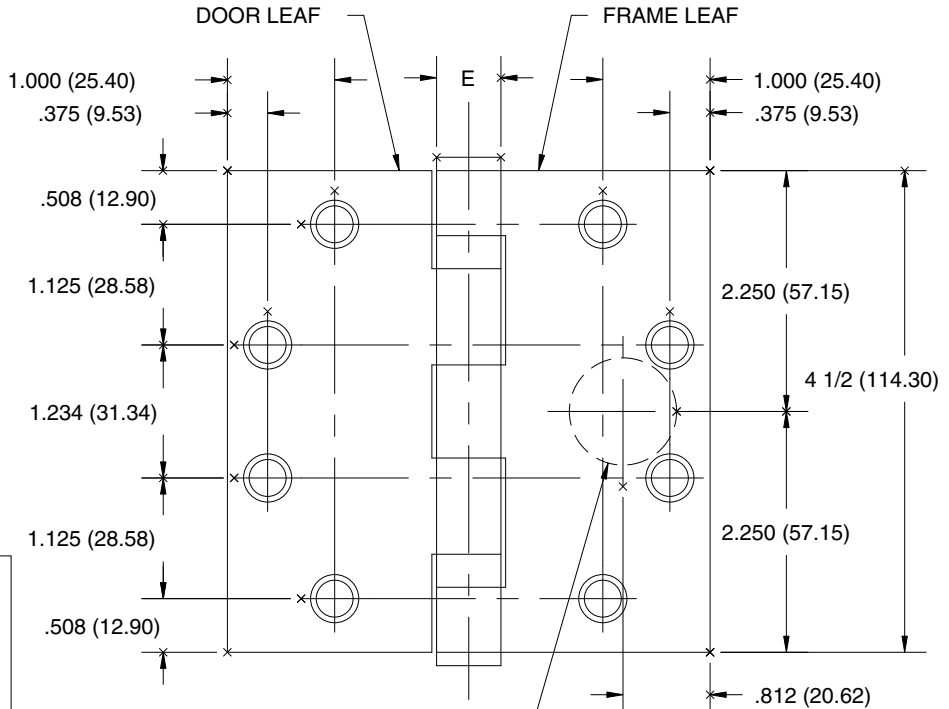


**FULL MORTISE
TEMPLATE HINGES
ELECTRIC MONITOR TYPE EMN**

Template No. T 520
Rev. '96



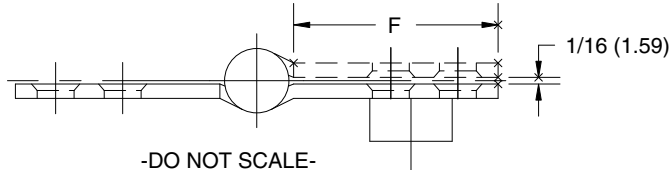
SIZES: 4 1/2 x 4 -- 4 1/2 x 4 1/2
(114.30 x 101.60) (114.30 x 114.30)



EMN MAXIMUM
ELECTRICAL RATING
SWITCH
VOLTS 48V DC/AC
AMPERES 1.0A

DRILLING INSTRUCTIONS

NOTE A:
DRILL AND DEBURR ϕ 1 (25.40)
HOLE IN FRAME REINFORCEMENT
FOR WIRES.



-DO NOT SCALE-

CATALOG NUMBER		METAL GAUGE	(E) KNUCKLE DIAMETER	(F) DISTANCE FROM EDGE OF LEAF TO SWAGE LINE	
STEEL HINGES	NON-FERROUS HINGES			4 1/2 x 4 (114.30 x 101.60)	4 1/2 x 4 1/2 (114.30 x 114.30)
BB1279-EMN	BB1191-EMN	.134 (3.40)	39/64 (15.48)	1 5/8 (41.28)	1 7/8 (47.63)
AB700-EMN	AB800-EMN	.134 (3.40)	39/64 (15.48)	1 5/8 (41.28)	1 7/8 (47.63)
BB1168-EMN	BB1199-EMN	.180 (4.57)	45/64 (17.86)	1 9/16 (39.69)	1 13/16 (46.04)
AB750-EMN	AB850-EMN	.180 (4.57)	45/64 (17.86)	1 9/16 (39.69)	1 13/16 (46.04)

ALL NON-BRACKETED DIMENSIONS ARE IN INCHES, ALL BRACKETED DIMENSIONS ARE IN MILLIMETERS.

Machine Screw Size- 12-24 x 1/2" F.H.
Wood Screw Size- No. 12 x 1 1/4" F.H.



NOTE: This hinge is intended to be used in the center position.

Hospital type and round corner template hinges conform to the above screw size and location. They are designated by "HT" and "RC" to catalog number.

Hager template hinges are made in size, gauge and with screw holes located to conform to ANSI-A156.7.

HAGER RESERVES THE RIGHT TO MAKE DESIGN CHANGES WITHOUT NOTICE. CALL HAGER ENGINEERING AT 1-800-325-9995 FOR LATEST REVISION DATE OF TEMPLATE.

HAGER COMPANIES
139 VICTOR STREET
P.O. BOX 12300
ST. LOUIS, MISSOURI 63157-0300

Template No. T 520