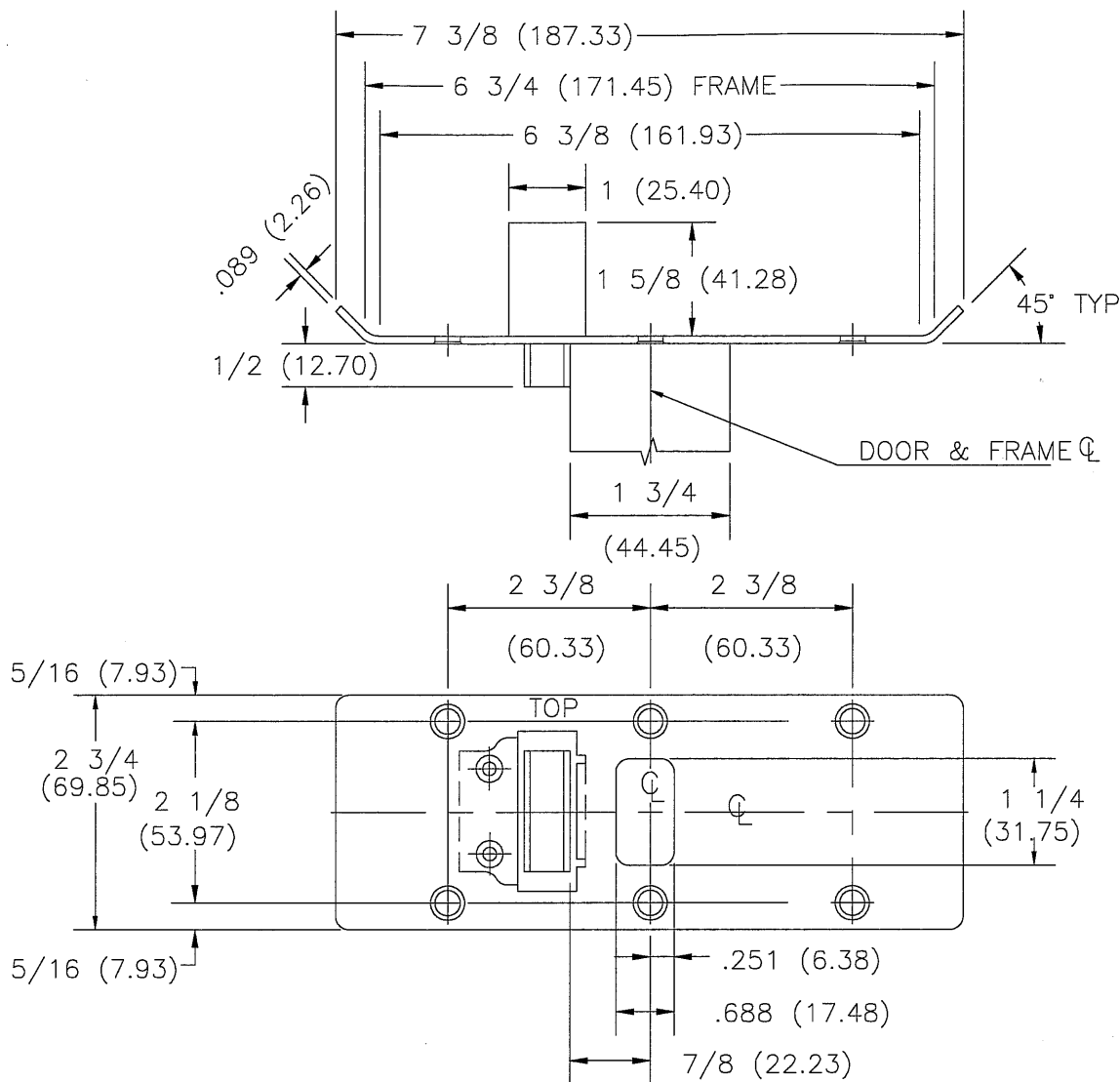


SIZE: 6 3/4 (171.45) FOR 1 3/4 (44.45) DOOR



R.H. DOOR SWING INSTALLATION SHOWN
LEFT HAND OPPOSITE

ALL NON-BRACKETED DIMENSIONS
ARE IN INCHES, ALL BRACKETED
DIMENSIONS ARE IN MILLIMETERS.

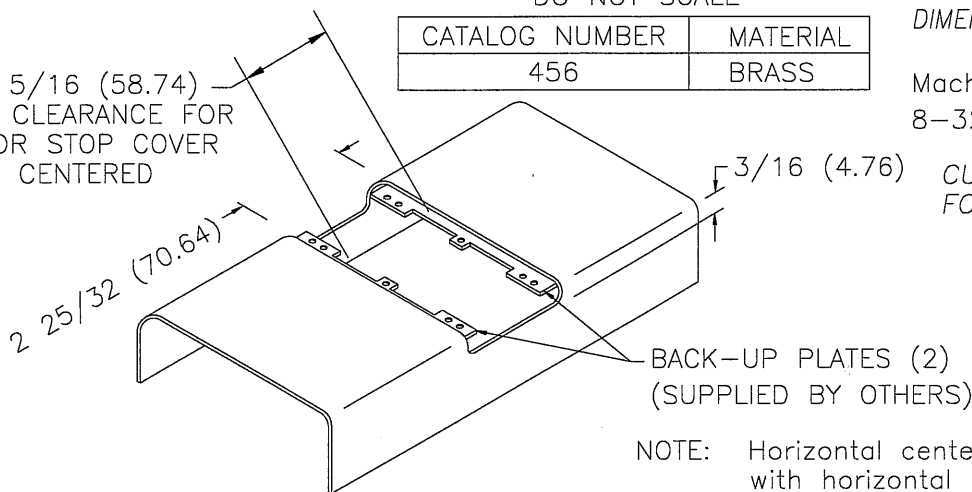
-DO NOT SCALE-

CATALOG NUMBER	MATERIAL
456	BRASS

Machine Screw Size
8-32 x 1/2" undercut F.H.

2 5/16 (58.74)
MIN. CLEARANCE FOR
DOOR STOP COVER
CENTERED

3/16 (4.76) CUTOUT IN METAL JAMB
FOR DOUBLE-LIPPED STRIKE



BACK-UP PLATES (2)
(SUPPLIED BY OTHERS)

NOTE: Horizontal centerline of plate to coincide
with horizontal centerline of cutout.



HAGER RESERVES THE RIGHT TO MAKE
DESIGN CHANGES WITHOUT NOTICE.

DESCRIPTION:

6-3/4" COMBINATION RESCUE DOOR STOP AND
TWO WAY STRIKE FOR CENTER HUNG DOORS

HAGER COMPANIES
139 Victor St.
St. Louis, MO 63104
1-800-325-9995

NO.	REVISION	BY	DATE
3	PER ECO CT08036	SEW	11-03-08

PART NO.

T368