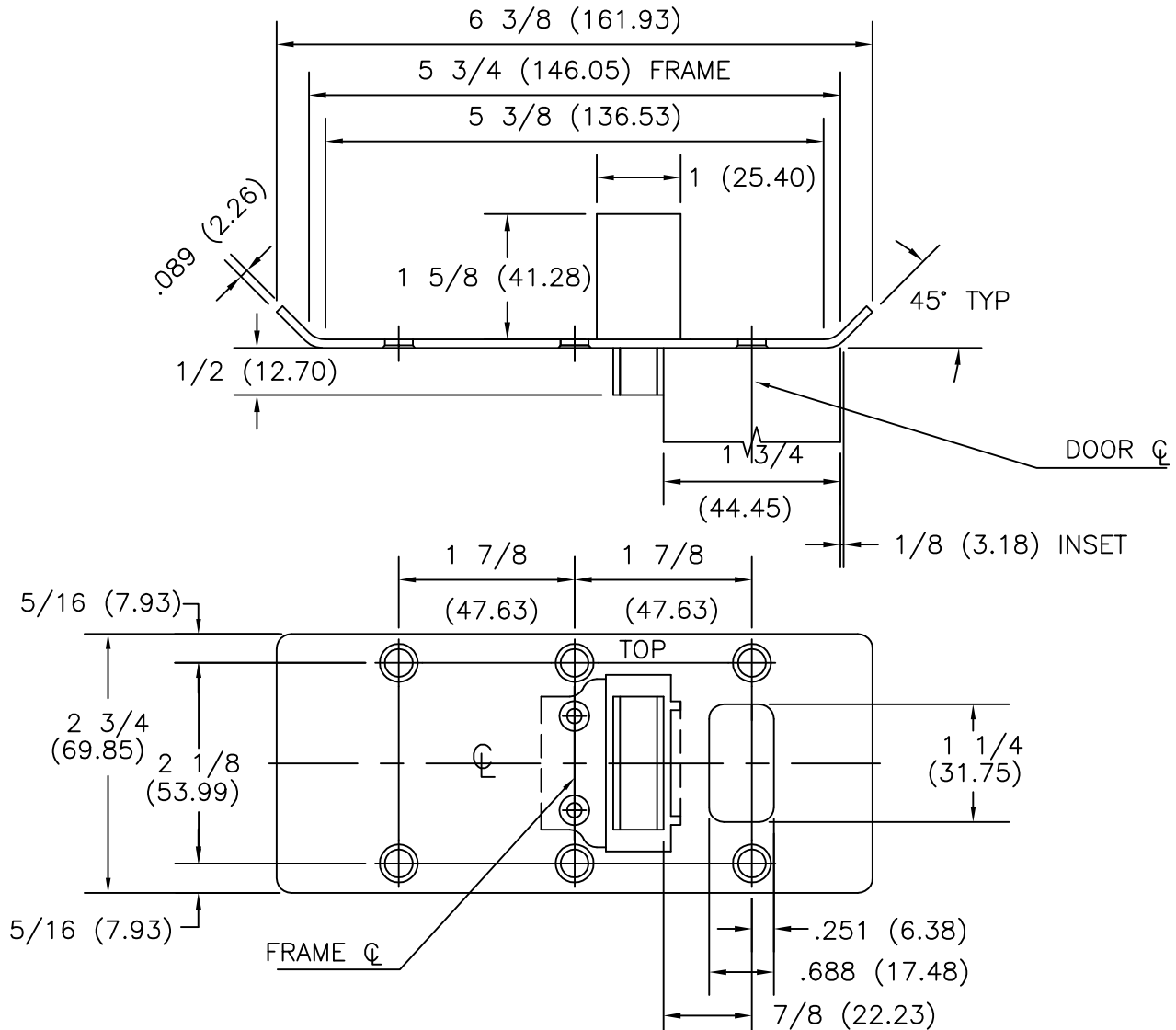


SIZE: 5 3/4 (146.05) FOR 1 3/4 (44.45) DOOR



R.H. DOOR SWING INSTALLATION SHOWN
LEFT HAND OPPOSITE

ALL NON-BRACKETED DIMENSIONS
ARE IN INCHES, ALL BRACKETED
DIMENSIONS ARE IN MILLIMETERS.

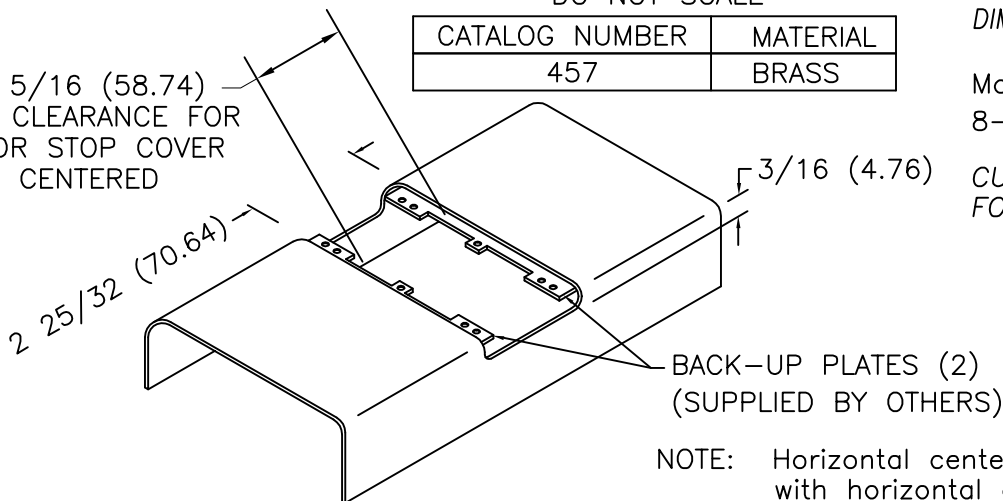
-DO NOT SCALE-

CATALOG NUMBER	MATERIAL
457	BRASS

Machine Screw Size
8-32 x 1/2" undercut F.H.

CUTOUT IN METAL JAMB
FOR DOUBLE-LIPPED STRIKE

2 5/16 (58.74)
MIN. CLEARANCE FOR
DOOR STOP COVER
CENTERED



NOTE: Horizontal centerline of plate to coincide
with horizontal centerline of cutout.



HAGER COMPANIES
139 Victor St.
St. Louis, MO 63104
1-800-325-9995

HAGER RESERVES THE RIGHT TO MAKE
DESIGN CHANGES WITHOUT NOTICE.

NO.	REVISION	BY	DATE
3	PER ECO CT08036	SW	11-03-08

DESCRIPTION:

5-3/4" COMBINATION RESCUE DOOR STOP
AND TWO WAY DOOR STRIKE FOR INSET HUNG DOORS

PART NO.

T367