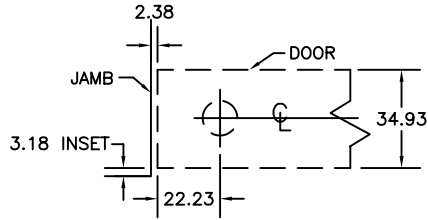
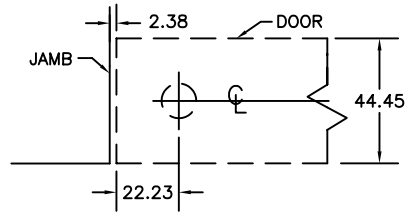


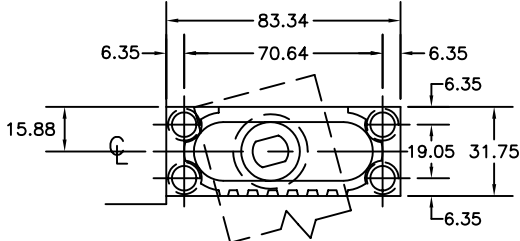
SINGLE ACTING RECONTEUR PIVOT



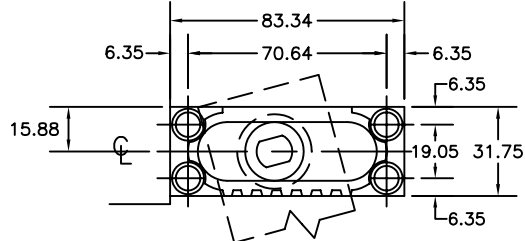
34.93 THICK DOOR- PIVOT LOCATION



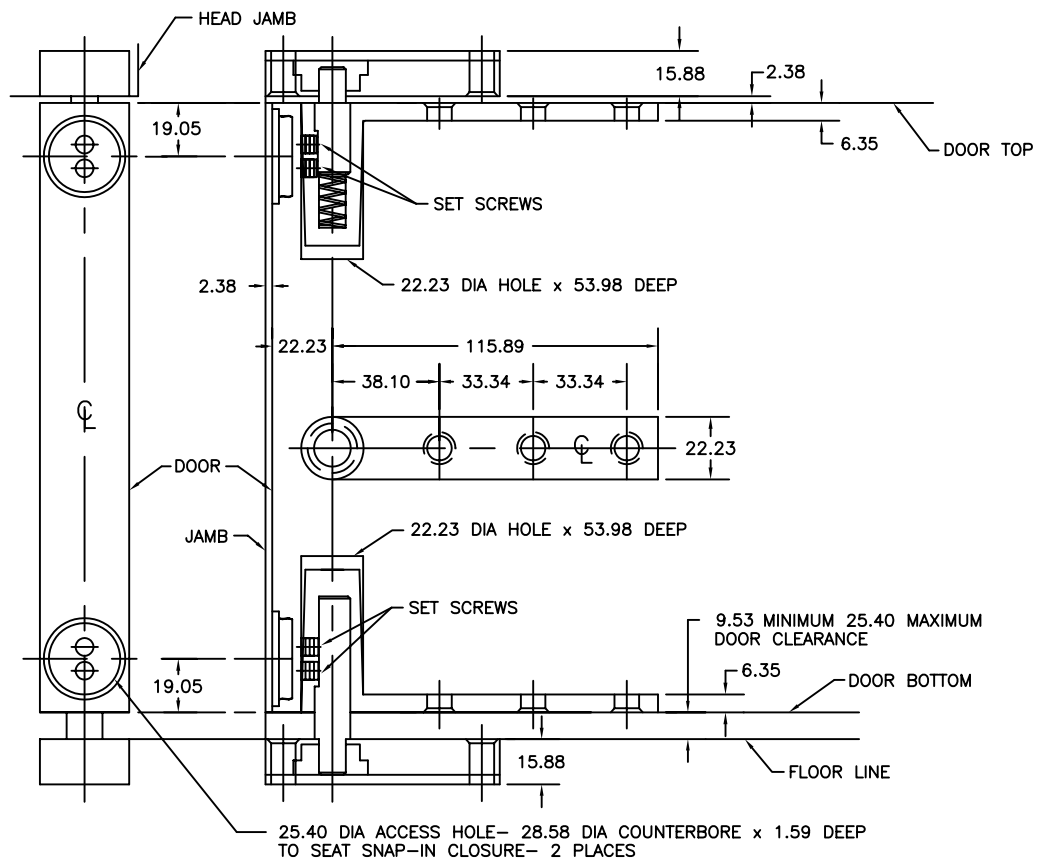
44.45 THICK DOOR- PIVOT LOCATION



HEAD GEAR BOX- PLAN VIEW



FLOOR GEAR BOX- PLAN VIEW



-DO NOT SCALE-

CATALOG NUMBER
500

ALL DIMENSIONS ARE IN MILLIMETERS.

Machine Screw Size: Door Mount Pivots- 12-24 x 1/2" F.H.
 Head Gear Box- 12-24 x 7/8" F.H.
 Wood Screw Size for door mount pivots and gear boxes- No. 12 x 1 1/4" F.H.
 Plastic Cinch Anchors furnished for masonry floors.



HAGER COMPANIES
 139 Victor Street
 St. Louis, MO 63104
 1-800-325-9995

HAGER RESERVES THE RIGHT TO MAKE DESIGN CHANGES WITHOUT NOTICE			
NO.	REVISION	BY	DATE
2	ECO CT05041	RAM	10-14-05

DESCRIPTION: 500 PIVOT TEMPLATE METRIC	PART NO. T358_500 PIVOT_METRIC
---	---------------------------------------