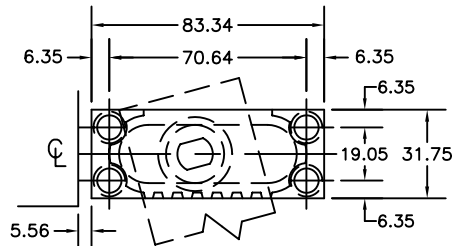
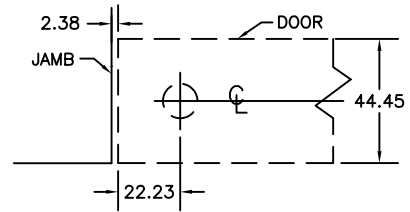


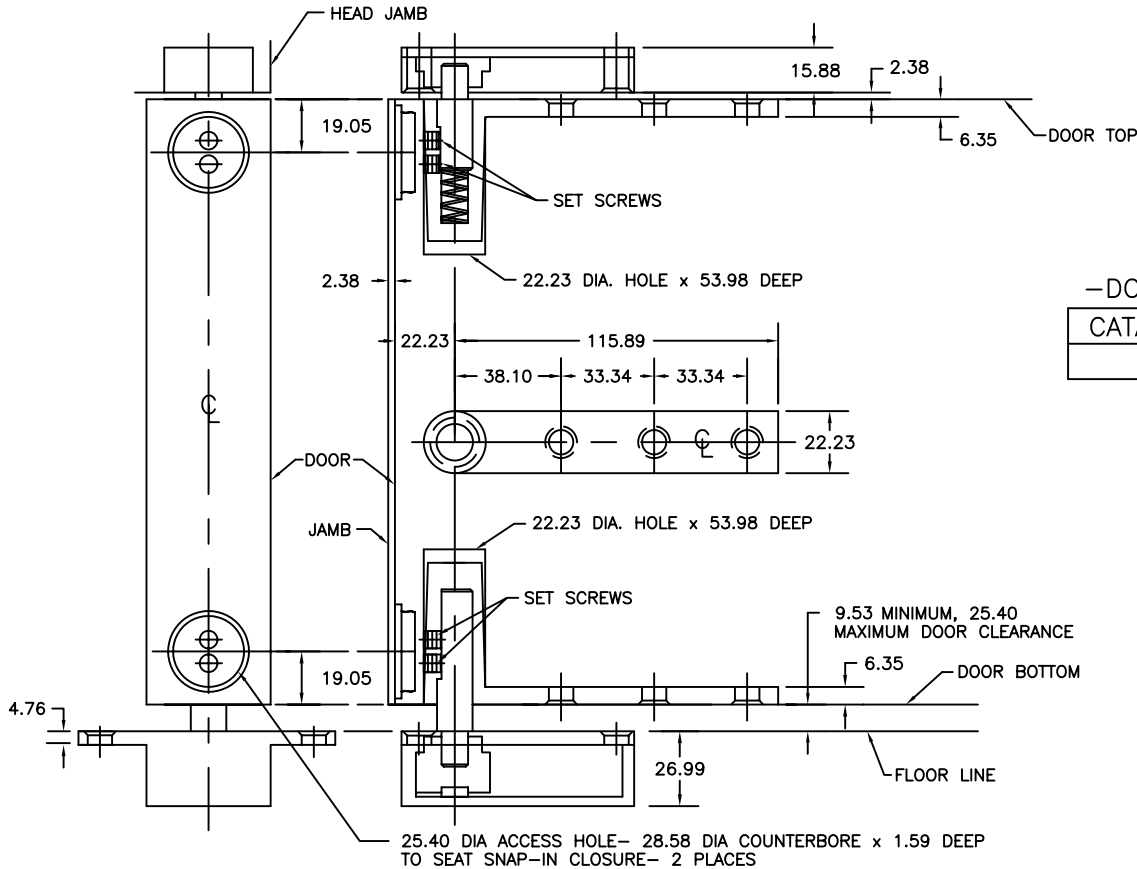
HEAVY DUTY SINGLE ACTING RECONTEUR PIVOT



HEAD GEAR BOX- PLAN VIEW



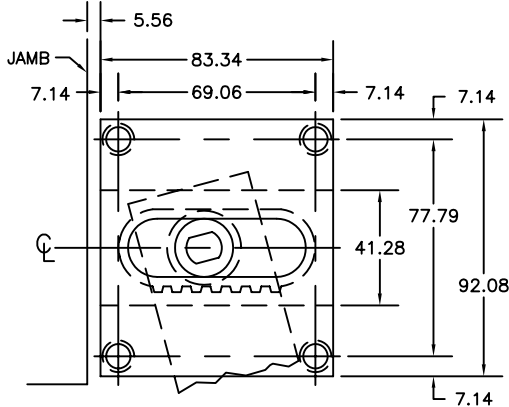
44.45 THICK DOOR- PIVOT LOCATION



-DO NOT SCALE-

CATALOG NUMBER

550



BOTTOM GEAR BOX- PLAN VIEW

Machine Screw Size: Door Mount Pivots- 12-24 x 1/2" F.H.
Head Gear Box- 12-24 x 1" F.H.

Wood Screw Size for door mount pivots and gear boxes- No. 12 x 1 1/4" mm F.H.
Plastic cinch anchors furnished for masonry floors.



HAGER COMPANIES
139 Victor Street
St. Louis, MO 63104
1-800-325-9995

HAGER RESERVES THE RIGHT TO MAKE DESIGN CHANGES WITHOUT NOTICE

DESCRIPTION:

550 PIVOT TEMPLATE METRIC

NO.	REVISION	BY	DATE
2	ECO CT05041	RAM	10-14-05

PART NO.

T357_550 PIVOT_METRIC