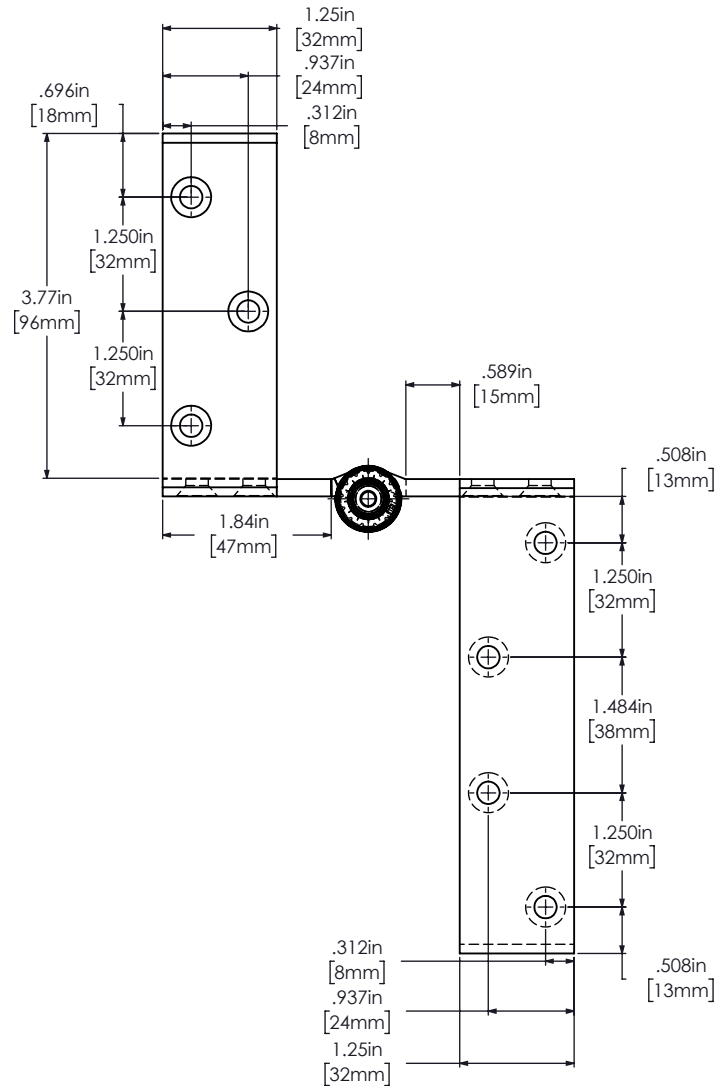


TEMPLATE FULL MORTISE ANCHOR HINGE 5.0X4.5 FOR SQUARE EDGE DOORS

NOTE: FOR TOP HINGE LOCATION ONLY. INSTALL STANDARD FULL MORTISE 5 X 4.5" HEAVY WEIGHT HINGES AT CENTER AND BOTTOM HINGE LOCATIONS.

NOTE: THIS ANCHOR HINGE IS USED ON SQUARE EDGE DOORS WHEN EQUIPPED WITH CONCEALED DOOR CLOSERS OR HOLDERS. SEE T-326 FOR STANDARD ANCHOR HINGE TO BE USED ON SQUARE EDGE DOORS.



CATALOG NUMBERS		METAL GAUGE
STEEL HINGES	NON-FERROUS HINGES	
BB1165	BB1195	.190
AB7507	AB8507	.190

SCREWS
MACHINE - 12-24 X 1/2" FLAT HEAD
WOOD - NO. 12 X 1-1/4" FLAT HEAD

RIGHT HAND SHOWN
LEFT HAND OPPOSITE

NOT TO SCALE

