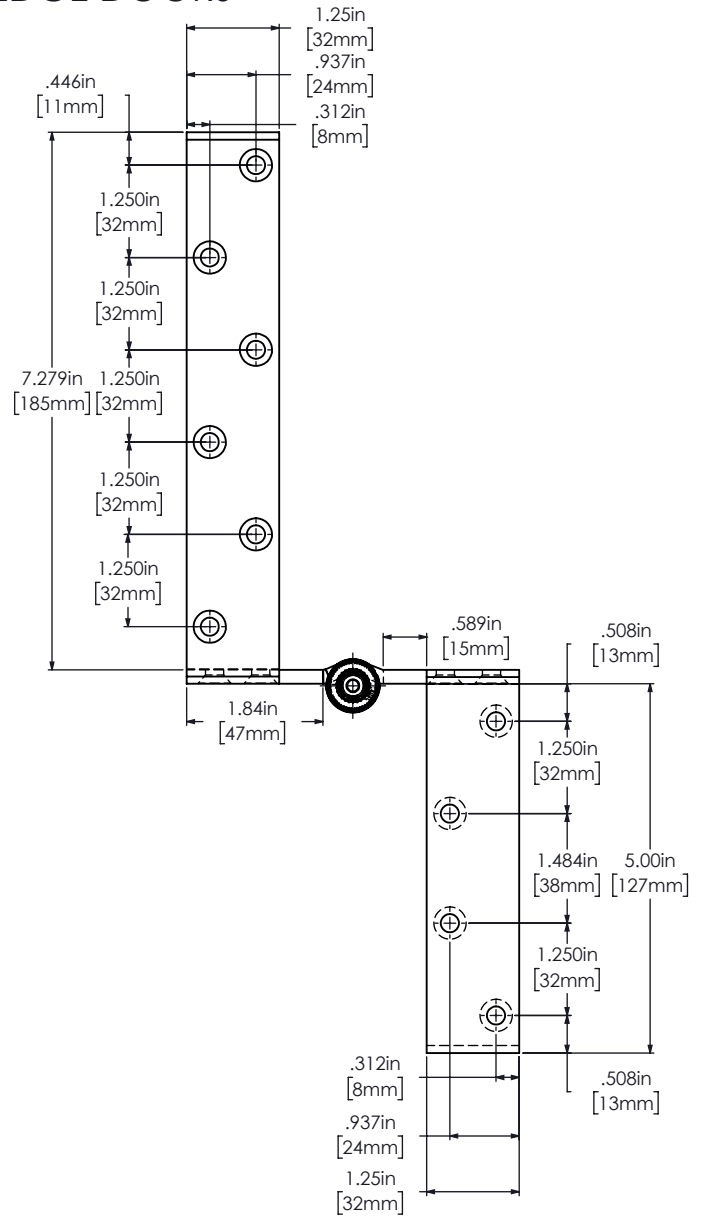


# TEMPLATE FULL MORTISE ANCHOR HINGE 5.0X4.5 FOR SQUARE EDGE DOORS

NOTE: FOR TOP HINGE LOCATION ONLY.  
INSTALL STANDARD FULL MORTISE 5 X 4.5"  
HEAVY WEIGHT HINGES AT CENTER AND  
BOTTOM HINGE LOCATIONS.

NOTE: SEE TEMPLATE T-327 FOR STANDARD  
ANCHOR HINGE TO BE USED ON SQUARE  
EDGE DOORS IN CONJUNCTION WITH  
CONCEALED DOOR HOLDERS OR CLOSERS.



CATALOG NUMBERS		METAL GAUGE
STEEL HINGES	NON-FERROUS HINGES	
BB1162	BB1192	.190
AB7506	AB8506	.190

SCREWS  
MACHINE - 12-24 X 1/2" FLAT HEAD  
WOOD - NO. 12 X 1-1/4" FLAT HEAD

RIGHT HAND SHOWN  
LEFT HAND OPPOSITE

NOT TO SCALE

