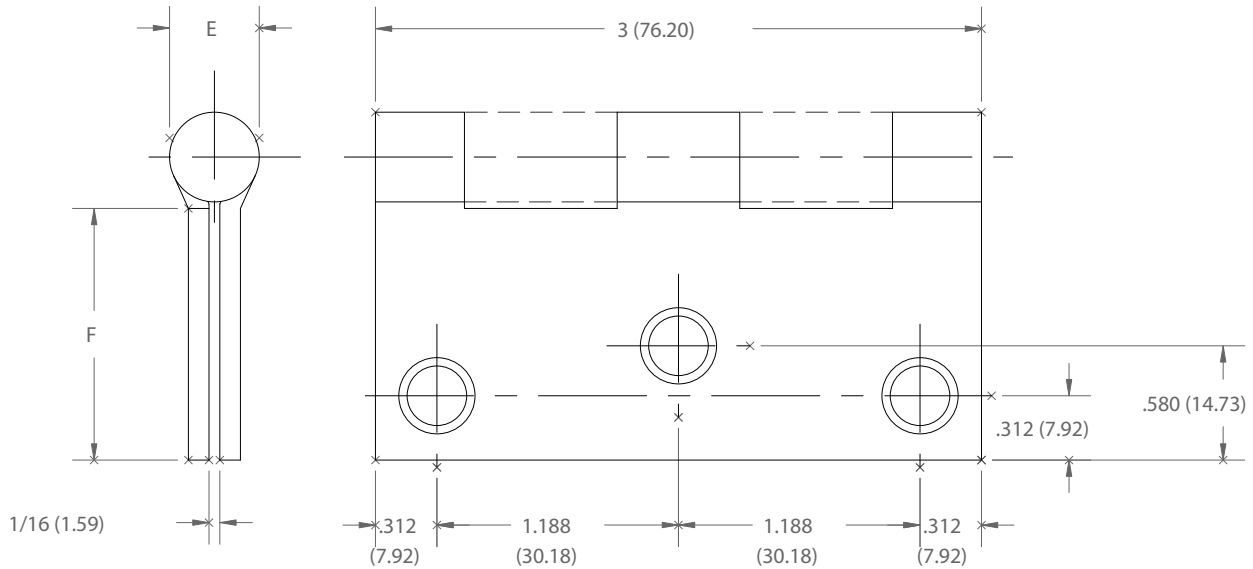


FULL MORTISE
TEMPLATE HINGES

Template No. T 303
Rev. '96

SIZE: 3 x 3
(76.20 x 76.20)



-DO NOT SCALE-

CATALOG NUMBER		METAL GAUGE	(E) KNUCKLE DIAMETER	(F) DISTANCE FROM EDGE OF LEAF TO SWAGE LINE
STEEL HINGES	NON-FERROUS HINGES			3 x 3 (76.20 x 76.20)
1279	1191	SEE NOTE	7/16 (11.11)	1 3/16 (30.16)

ALL NON-BRACKETED DIMENSIONS ARE IN INCHES, ALL BRACKETED DIMENSIONS ARE IN MILLIMETERS.

Machine Screw Size- 10-24 x 1/2" F.H. WITH NO. 9 HEAD

Wood Screw Size- No. 9 x 1" F.H.

NOTE: Gauge for steel - .092 (2.34)
Gauge for stainless steel - .085 (2.16)
Gauge for brass - .094 (2.39)



Hospital type and round corner template hinges conform to the above screw size and location. They are designated by "HT" and "RC" to catalog number.

Hager template hinges are made in size and with screw holes located to conform to ANSI-A156.7.

HAGER RESERVES THE RIGHT TO MAKE DESIGN CHANGES WITHOUT NOTICE. CALL HAGER ENGINEERING AT 1-800-325-9995 FOR LATEST REVISION DATE OF TEMPLATE.

HAGER COMPANIES
139 VICTOR STREET
P.O. BOX 12300
ST. LOUIS, MISSOURI 63157-0300

Template No. T 303