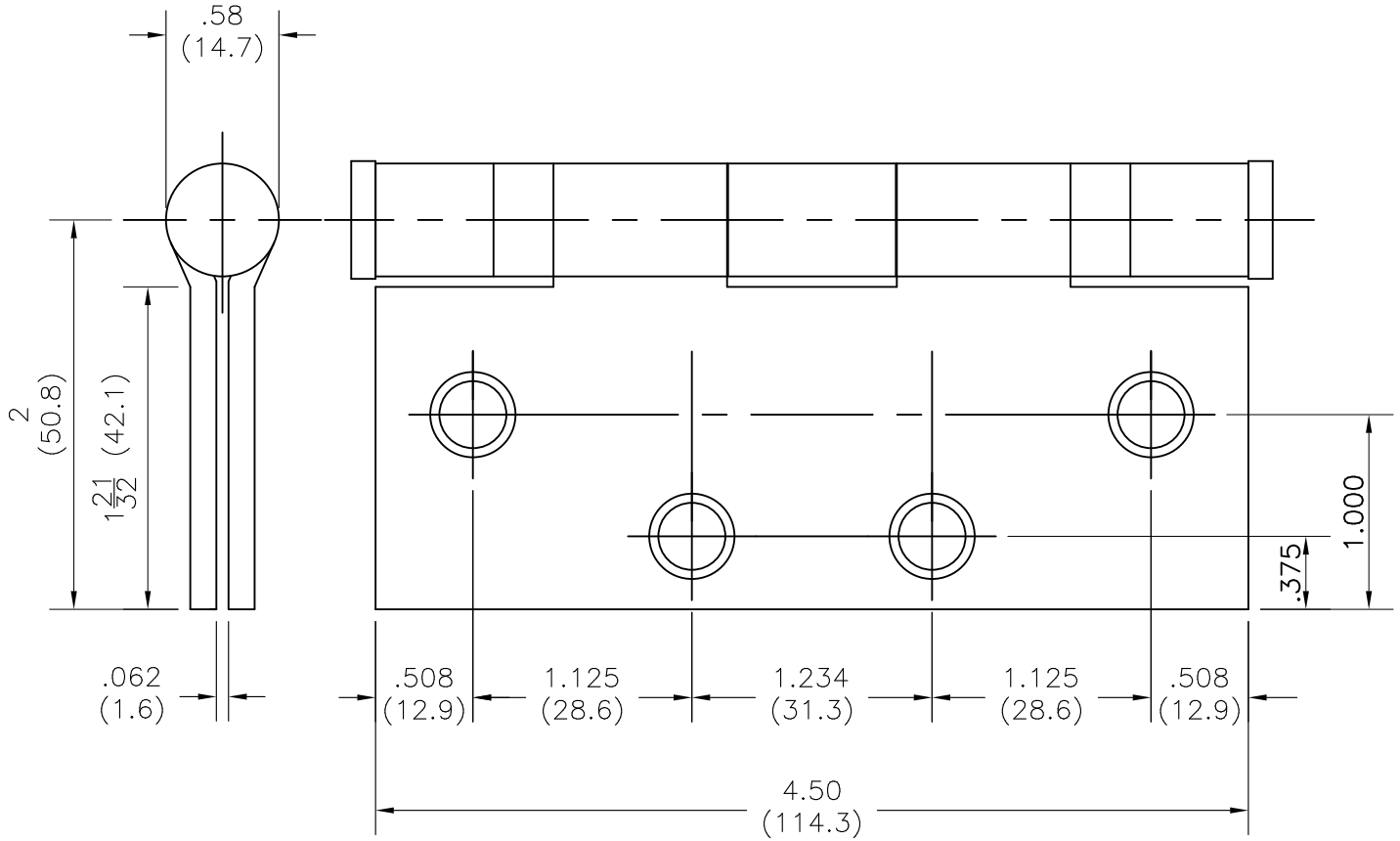


FULL MORTISE TEMPLATE HINGES

SIZE: 4 1/2 x 4
(114.30 x 101.60)



-DO NOT SCALE-

CATALOG NUMBER			DISTANCE FROM EDGE OF LEAF TO SWAGE LINE
STEEL HINGES	METAL GAUGE	KNUCKLE DIAMETER	4 1/2 x 4 (114.3 x 101.6)
ECBB 1100	.134 (3.4)	37/64 (14.7)	1 21/32 (42.1)

ALL NON-BRACKETED DIMENSIONS ARE IN INCHES, ALL BRACKETED DIMENSIONS ARE IN MILLIMETERS.

Machine Screw Size— 12-24 x 1/2" FHM
Wood Screw Size— No. 12 x 1 1/4" FHT

H
HAGER COMPANIES
139 Victor St.
St. Louis, MO 63104
1-800-325-9995

HAGER RESERVES THE RIGHT TO MAKE DESIGN CHANGES WITHOUT NOTICE.

DESCRIPTION:

ECCO STANDARD WEIGHT
FULL MORTISE TEMPLATE HINGE

NO.	REVISION	BY	DATE
4	UPDATED DWG	SLJ	06.02.15

PART NO.

T1100C