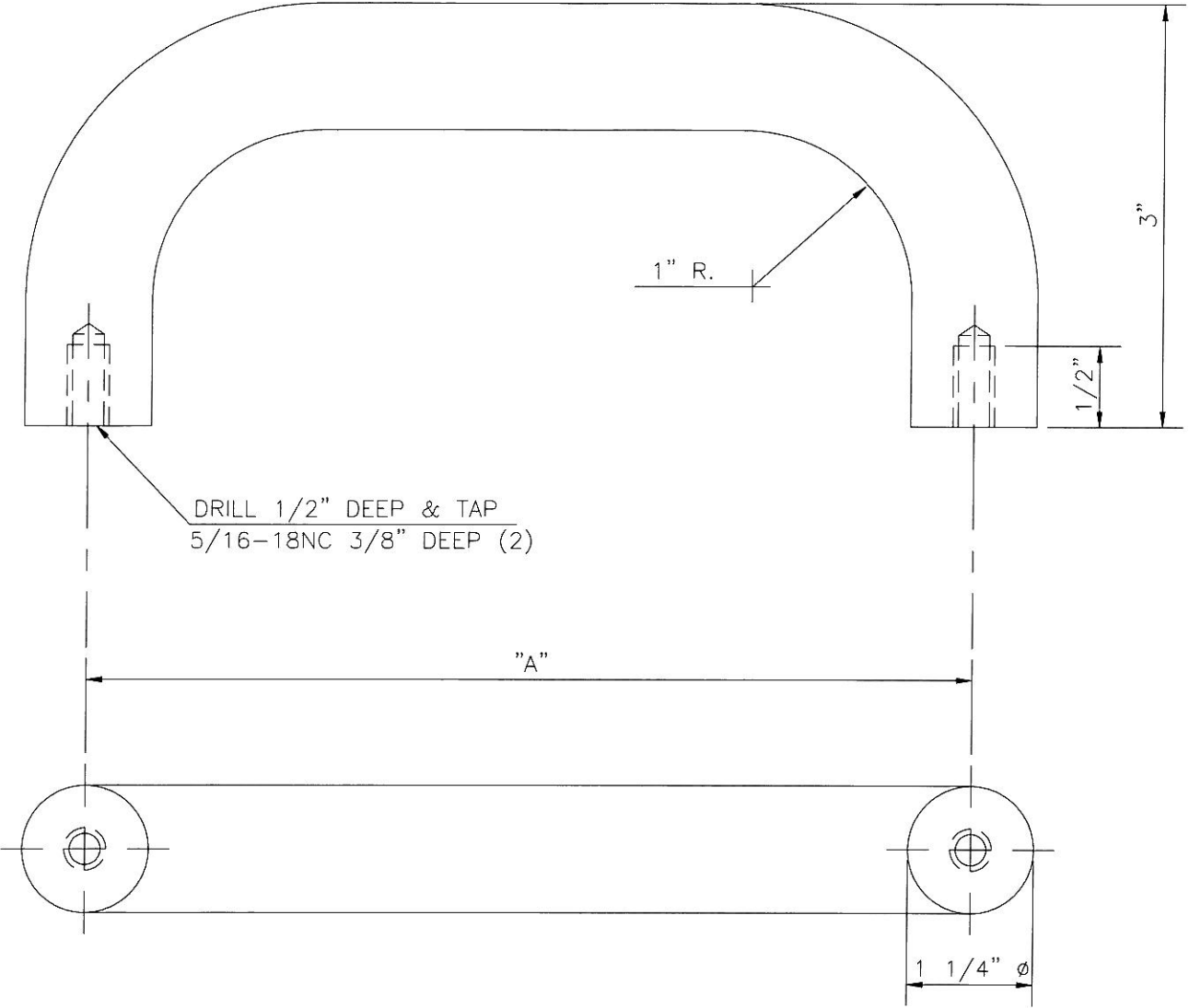


Template No. T-10

Template No. T-10
Rev. 1

TEMPLATE



NUMBER	"A"
10-L	12"
10-Q	18"

DO NOT SCALE

Template No. T-10



HAGER HINGE CO.
139 Victor St.
St. Louis, MD 63104

Template No. T-10