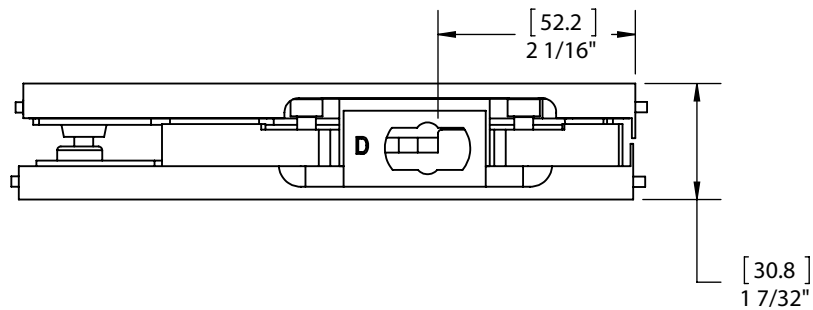
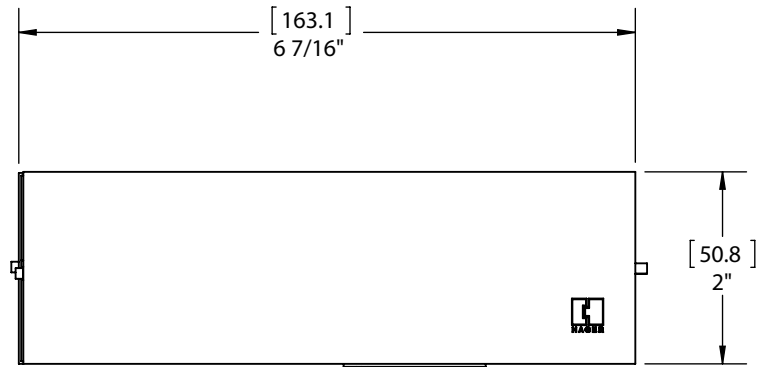


REV.	DESCRIPTION	ECO NO.	DATE
------	-------------	---------	------



PROPRIETARY & CONFIDENTIAL
 THE INFORMATION CONTAINED
 IN THIS DRAWING IS THE SOLE
 PROPERTY OF HAGER
 COMPANIES. ANY REPRODUCTION
 IN PART OR AS A WHOLE WITHOUT
 THE WRITTEN PERMISSION OF
 HAGER COMPANIES IS PROHIBITED.

HAGER RESERVES
 THE RIGHT TO
 MAKE DESIGN
 CHANGES
 WITHOUT NOTICE.
 CALL HAGER
 ENGINEERING AT
 1-800-325-9995
 FOR THE LATEST
 REVISION DATE
 OF TEMPLATE.

	DRAWN	RT	2-11-11
	ENG. APPR.		
MATERIAL	US32	Q.A.	
FINISH	TOLERANCES: FRACTIONAL: ±0.015" ANGULAR: MACH: ± 1° BEND: ±1° TWO PLACE DECIMAL: ±0.01" THREE PLACE DECIMAL: ±0.004"		
DO NOT SCALE DRAWING			

651 651 PATCH FITTING		SIZE	DWG. NO.	REV.
		A	S-TA00842	-+
SCALE: 1:4	WEIGHT:			SHEET 1 OF 1