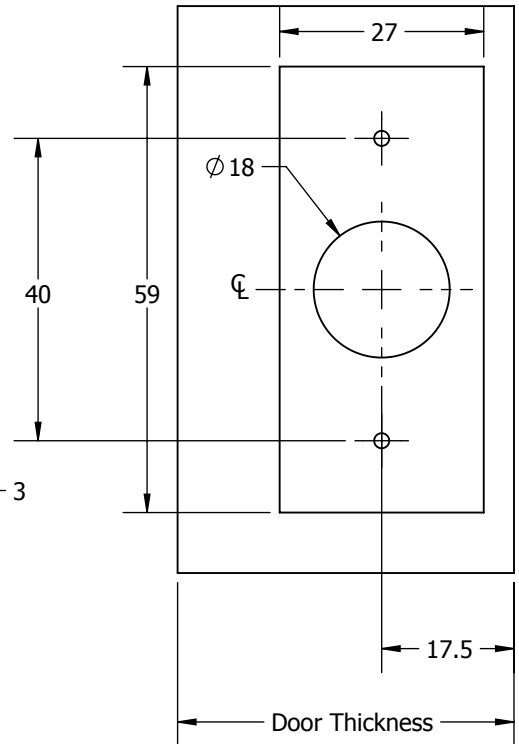
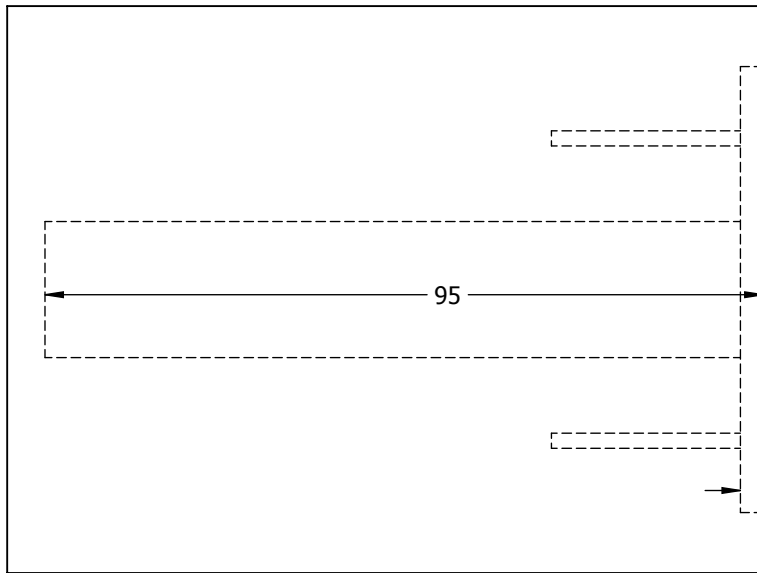
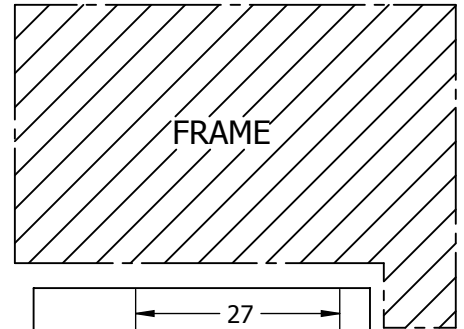
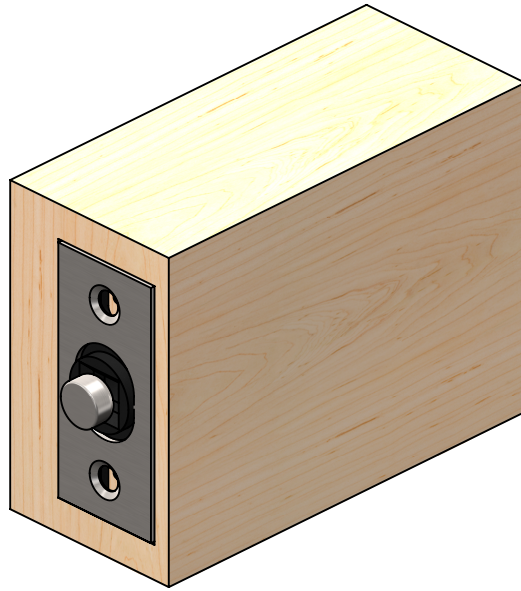


299D Door Chain Location



- Note:
- 1) Door thickness must be between 35mm - 55mm
 - 2) Door shown above is approximately 45mm thick
 - 3) Door chain centerline must line up with frame guard centerline



HAGER RESERVES THE RIGHT TO MAKE DESIGN CHANGES WITHOUT NOTICE. CALL HAGER ENGINEERING AT 1-800-325-9995 FOR THE LATEST REVISION DATE OF TEMPLATE.

DIMENSIONS SHOWN IN MILLIMETERS.

MATERIAL
Material <not specified>

FINISH
SATIN FINISH

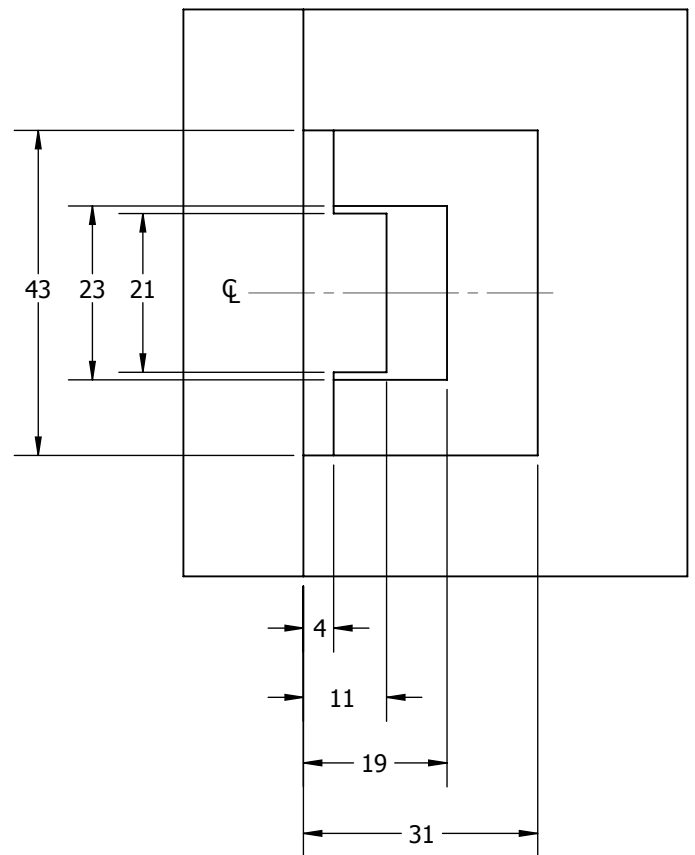
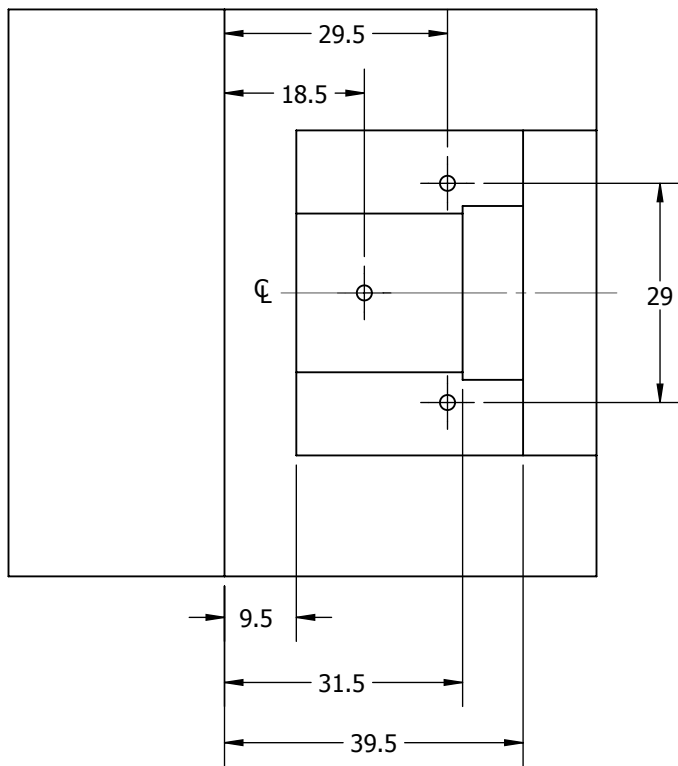
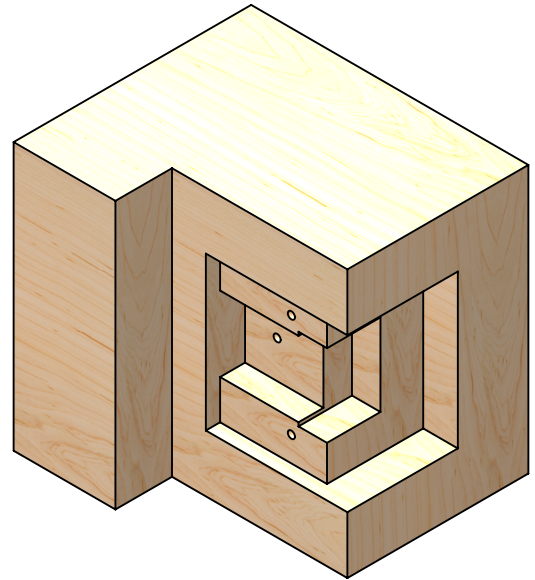
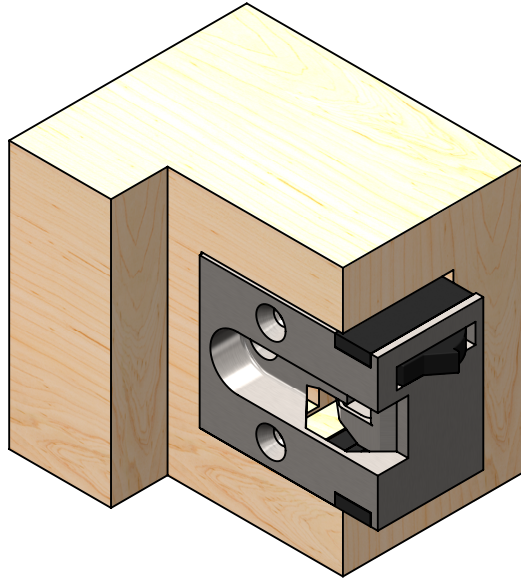
DO NOT SCALE DRAWING

DRAWN	DRS	3/20/2014
ENG. APPR.	-	-
Q.A.		

299D
DOOR CHAIN

SIZE A	DWG. NO. S-TA00837	REV. 02
SCALE: 1:1	WEIGHT: 171.41	SHEET 1 OF 2

299D Frame Guard Location



- Note:
- 1) Frame rabbet depth must be between 39.5mm - 60mm
 - 2) Frame shown above is approximately 49.5mm deep
 - 3) Frame guard centerline must line up with door chain centerline



HAGER RESERVES THE RIGHT TO MAKE DESIGN CHANGES WITHOUT NOTICE. CALL HAGER ENGINEERING AT 1-800-325-9995 FOR THE LATEST REVISION DATE OF TEMPLATE.

DIMENSIONS SHOWN IN MILLIMETERS.

MATERIAL
Material <not specified>

FINISH
SATIN FINISH

DO NOT SCALE DRAWING

DRAWN	DRS	3/20/2014
ENG. APPR.	-	-
Q.A.		

299D
FRAME CUTOUT

SIZE A	DWG. NO. S-TA00837	REV. 02
SCALE: 1:1	WEIGHT: 171.41	SHEET 2 OF 2