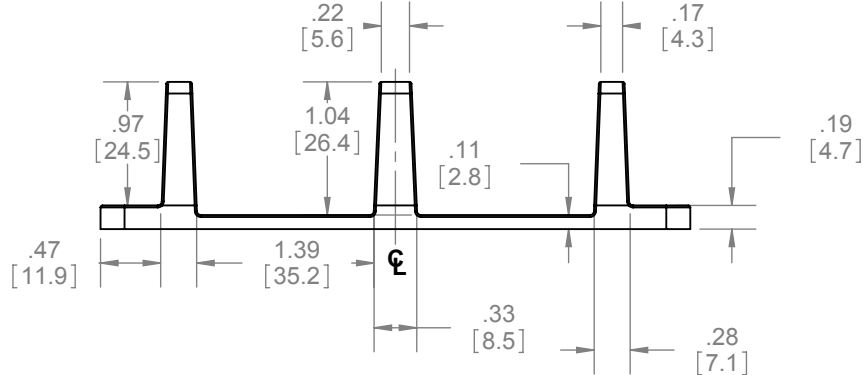
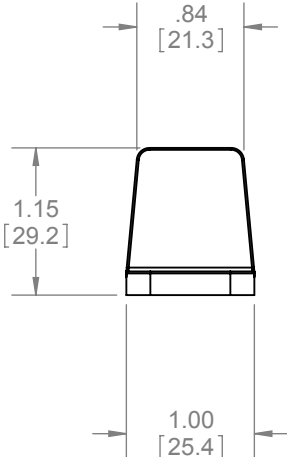
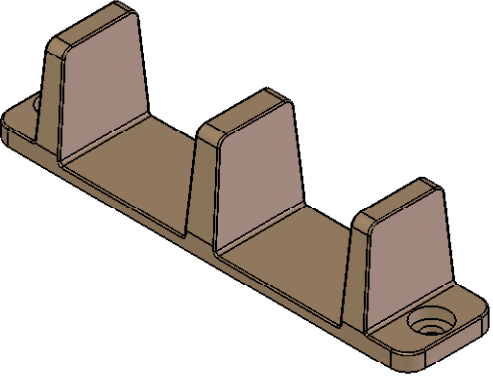
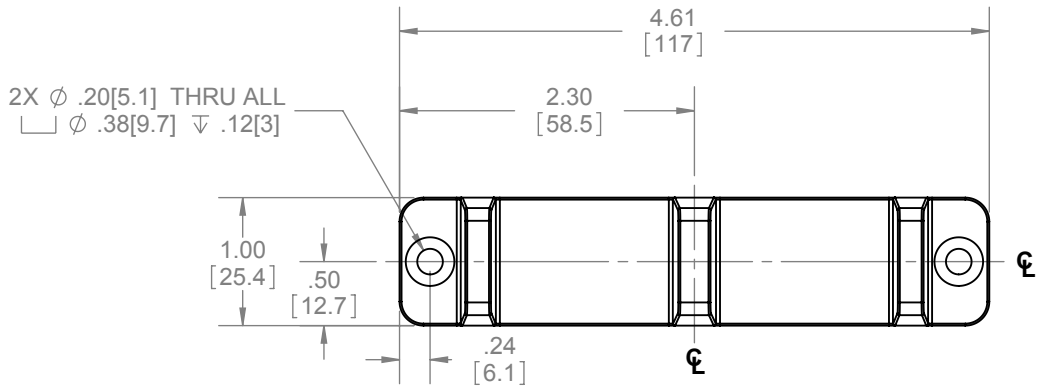



REVISIONS		
REV.	DESCRIPTION	DATE
01	NEW DRAWING FOR WEB	3/20/2008



NOTES:
- ONE PIECE FIXED GUIDE FOR 1-3/8"(35mm) DOORS

HARDWARE INCLUDED:
- 2PCS #8-32 x 3/4" CROSS PAN HEAD SCREW

 PROPRIETARY & CONFIDENTIAL THE INFORMATION CONTAINED IN THIS DRAWING IS THE SOLE PROPERTY OF HAGER COMPANIES. ANY REPRODUCTION IN PART OR AS A WHOLE WITHOUT THE WRITTEN PERMISSION OF HAGER COMPANIES IS PROHIBITED.	HAGER RESERVES THE RIGHT TO MAKE DESIGN CHANGES WITHOUT NOTICE. CALL HAGER ENGINEERING AT 1-800-325-9995 FOR THE LATEST REVISION DATE OF TEMPLATE.	DRAWN	NJANSEN	1/24/2008	9351 TAN PLASTIC FLOOR GUIDE	
		ENG. APPR.	M MCRAE	3/20/2008		
		MATERIAL	PE High Density		TOLERANCES:	
		FINISH	NONE		FRACTIONAL: $\pm 0.015"$ ANGULAR: MACH: $\pm 1^\circ$ BEND: $\pm 1^\circ$ TWO PLACE DECIMAL: $\pm 0.01"$ THREE PLACE DECIMAL: $\pm 0.004"$	
DO NOT SCALE DRAWING		SIZE	A		DWG. NO.	REV.
		SCALE: 1:1		WEIGHT: 0.03	S-SD00048	01
		SHEET 1 OF 1				