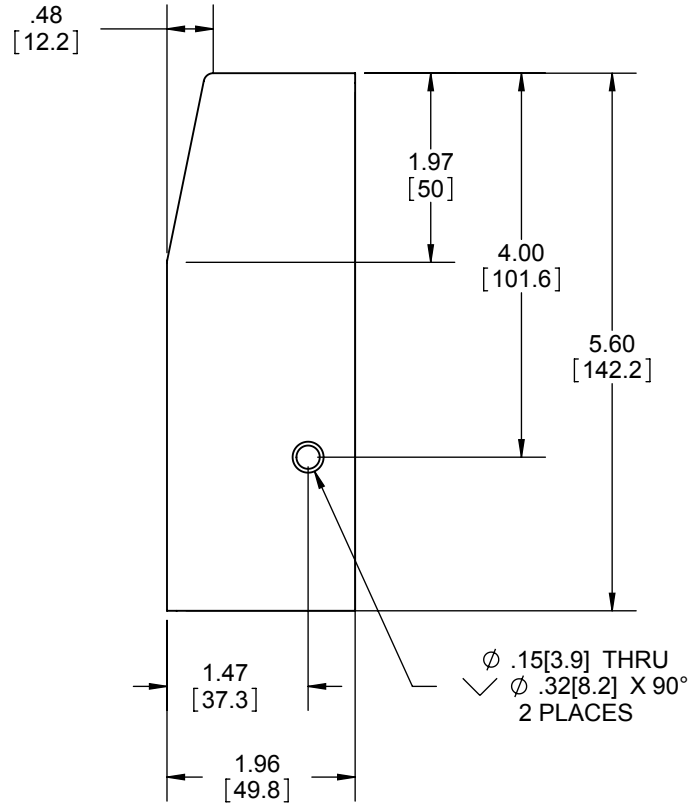
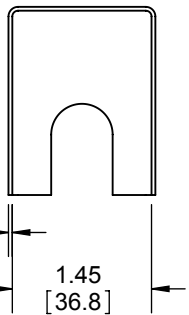
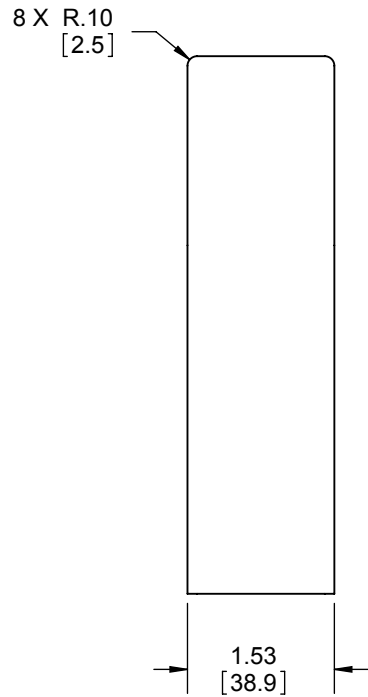
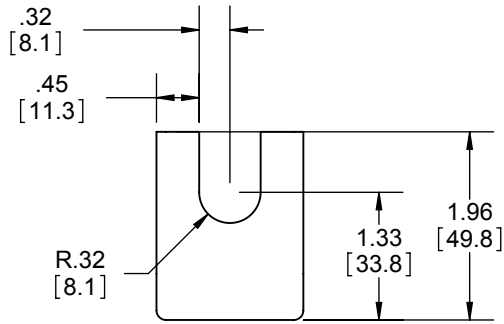
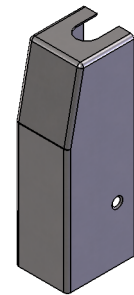



REV.	DESCRIPTION	ECO NO.	DATE
-	ORIGINAL RELEASE		2/4/2009
01			11/26/2013



FINISH	COMPONENT NUMBER
US3	26490060
US4	26490061
US10	26490062
US10B	26490063
US26	26490064
US26D	26490065
US32D	26490066



 PROPRIETARY & CONFIDENTIAL THE INFORMATION CONTAINED IN THIS DRAWING IS THE SOLE PROPERTY OF HAGER COMPANIES. ANY REPRODUCTION IN PART OR AS A WHOLE WITHOUT THE WRITTEN PERMISSION OF HAGER COMPANIES IS PROHIBITED.	HAGER RESERVES THE RIGHT TO MAKE DESIGN CHANGES WITHOUT NOTICE. CALL HAGER ENGINEERING AT 1-800-325-9995 FOR THE LATEST REVISION DATE OF TEMPLATE.	DRAWN	TJS	2/9/09	26490065 SVR LATCH COVER			
		MATERIAL	AISI 304					ENG. APPR.
		FINISH	PER ORDER		Q.A.			TOLERANCES: FRACTIONAL: $\pm 0.015''$ ANGULAR: MACH: $\pm 1^\circ$ BEND: $\pm 1^\circ$ TWO PLACE DECIMAL: $\pm 0.01''$ THREE PLACE DECIMAL: $\pm 0.004''$
DO NOT SCALE DRAWING		SIZE	DWG. NO.		REV.		A S-ED00755 01	
		SCALE: 1:2	WEIGHT: 0.35		SHEET 1 OF 1			