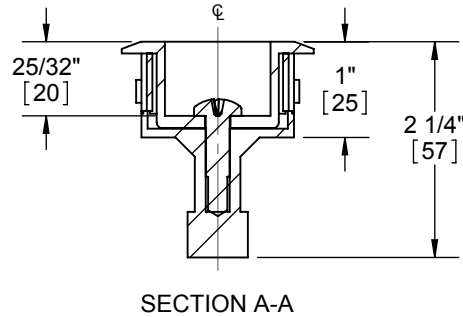
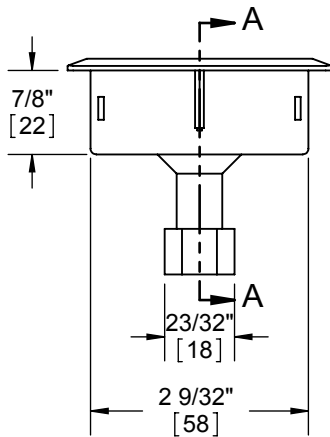
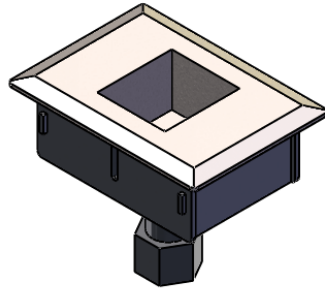
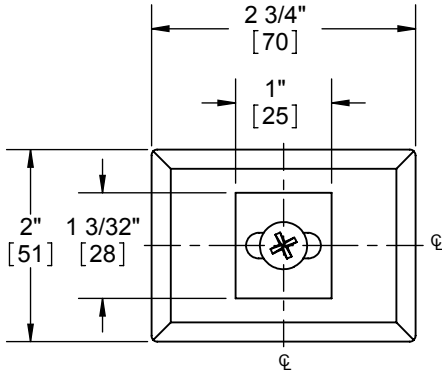
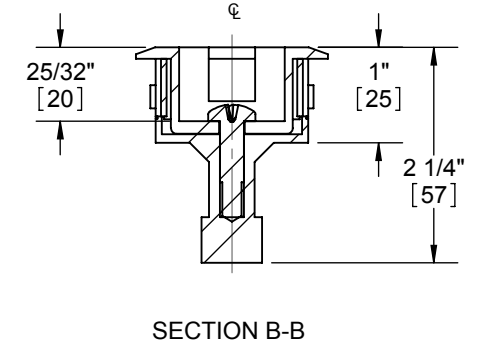
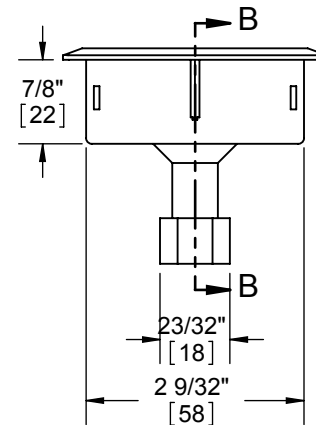
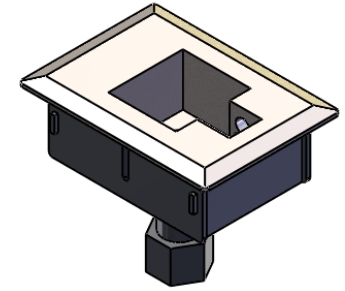
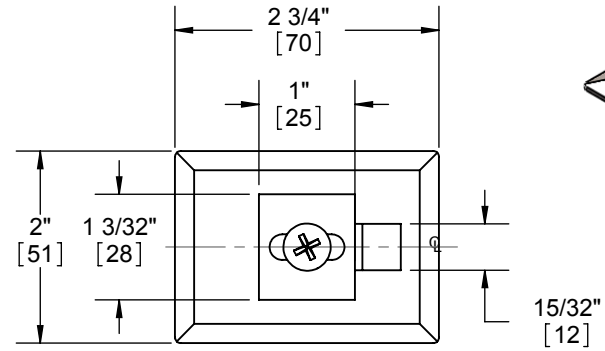


4924F
FIRE RATED



4924
PANIC RATED



HAGER RESERVES THE RIGHT TO MAKE DESIGN CHANGES WITHOUT NOTICE. CALL HAGER ENGINEERING AT 1-800-325-9995 FOR THE LATEST REVISION DATE OF TEMPLATE.

PRIMARY DIMENSIONS SHOWN IN INCHES, DIMENSIONS IN [] ARE MILLIMETERS.

DRAWN	NJANSEN	7/17/2008
ENG. APPR.		
MATERIAL	Q.A.	
FINISH	TOLERANCES: FRACTIONAL: ±0.015" ANGULAR: MACH: ± 1° BEND: ±1° TWO PLACE DECIMAL: ±0.01" THREE PLACE DECIMAL: ±0.004"	
DO NOT SCALE DRAWING		

4924		
4500 SVR BOTTOM STRIKE		
SIZE	DWG. NO.	REV.
A	S-ED00347	01
SCALE: 1:1	WEIGHT:	SHEET 1 OF 1