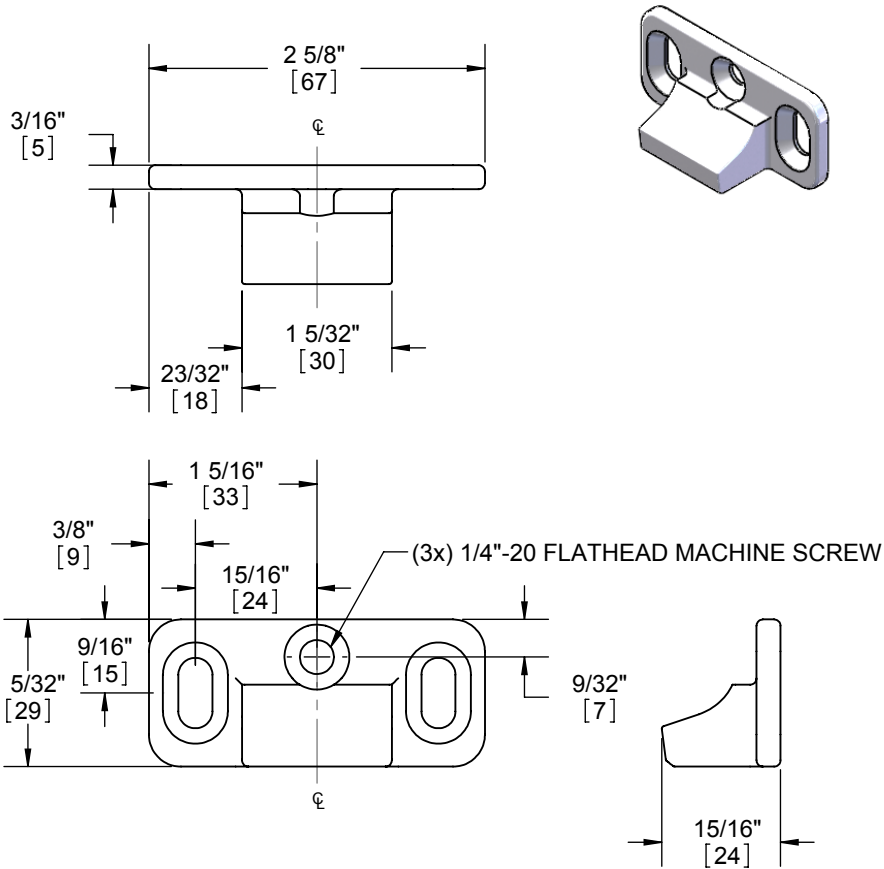
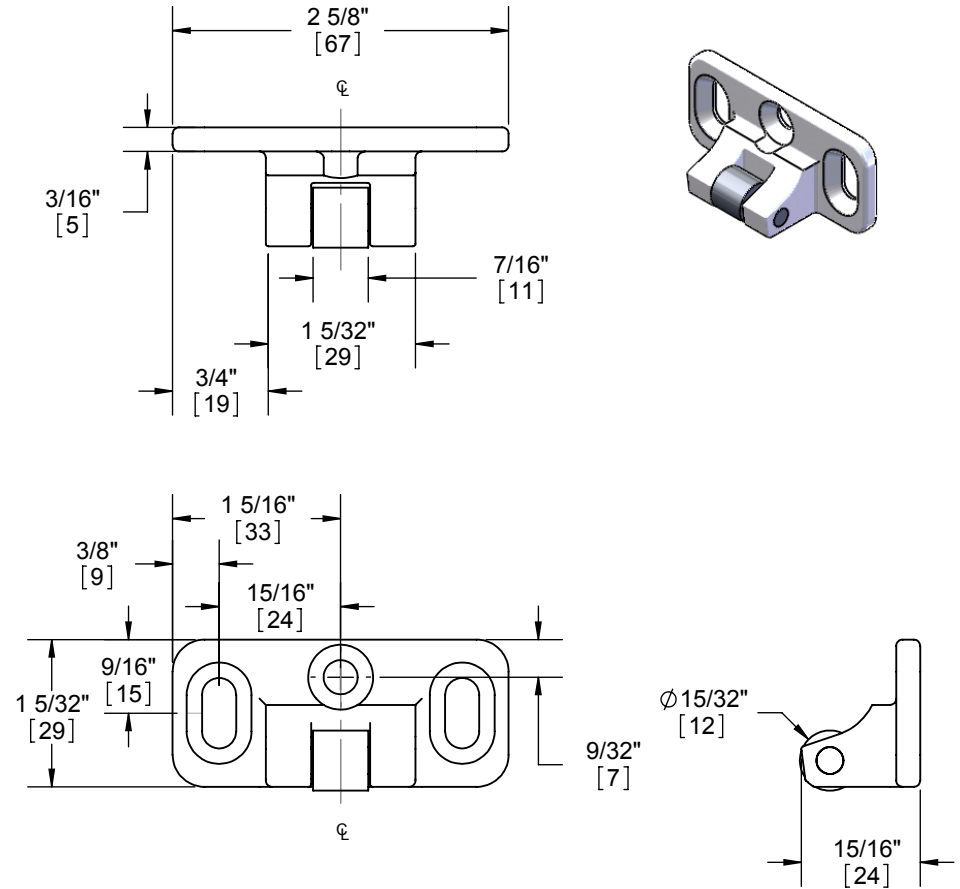


4923F
FIRE RATED



4923
PANIC RATED



HAGER RESERVES THE RIGHT TO MAKE DESIGN CHANGES WITHOUT NOTICE. CALL HAGER ENGINEERING AT 1-800-325-9995 FOR THE LATEST REVISION DATE OF TEMPLATE.

PRIMARY DIMENSIONS SHOWN IN INCHES, DIMENSIONS IN [] ARE MILLIMETERS.

	DRAWN	TJS	7/18/07
	ENG. APPR.	-	-
MATERIAL	Material <not specified>		
FINISH	-		
DO NOT SCALE DRAWING	TOLERANCES: FRACTIONAL: ±0.015" ANGULAR: MACH: ± 1° BEND: ±1° TWO PLACE DECIMAL: ±0.01" THREE PLACE DECIMAL: ±0.004"		

4923 4500 SVR TOP STRIKE		SIZE	DWG. NO.	REV.
		A	S-ED00346	01
SCALE: 1:1	WEIGHT: 0.24	SHEET 1 OF 1		