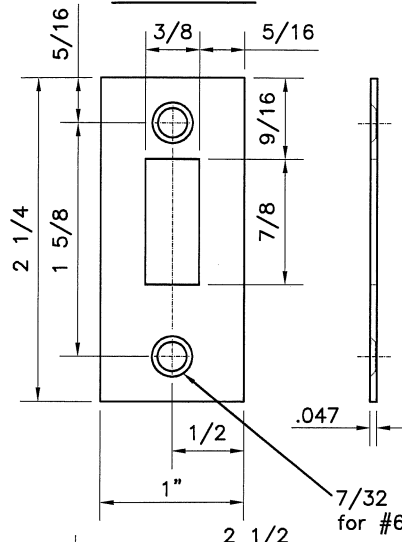
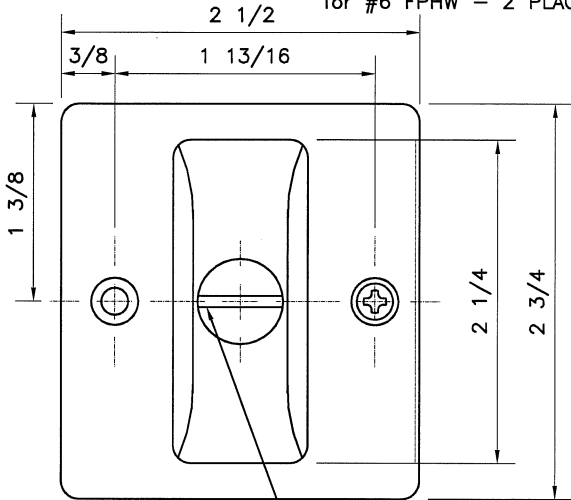


STRIKE PLATE

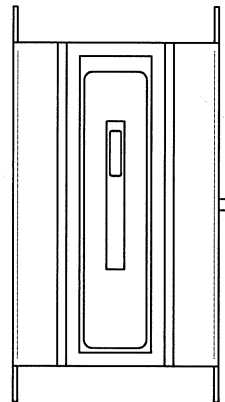


NOTE: PARTS ARE TO BE SUPPLIED WITH THE FOLLOWING -

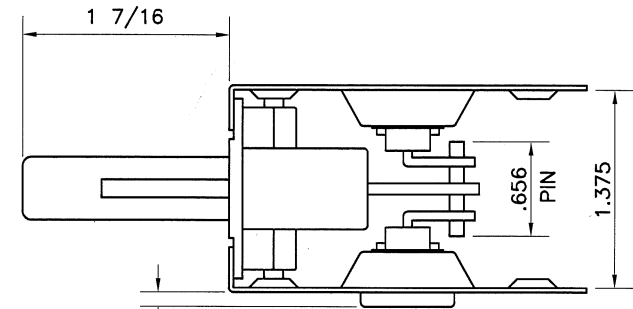
- INSTRUCTION SHEET
 - MOUNTING SCREWS:
 - (2) EA #6 x 3/4 FPHW for STRIKE PLATE MOUNT.
 - (2) EA #6 x 5/8 OPHW for PULL MOUNT.
 - (2) EA #6 x 1/2 OPHM for SIDE PLATES TO LATCH MOUNT.
 - STRIKE PLATE
 - CORRUGATED SPACER
- PACK IN POLY BAG, THEN INTO INDIVIDUAL CARTONS.



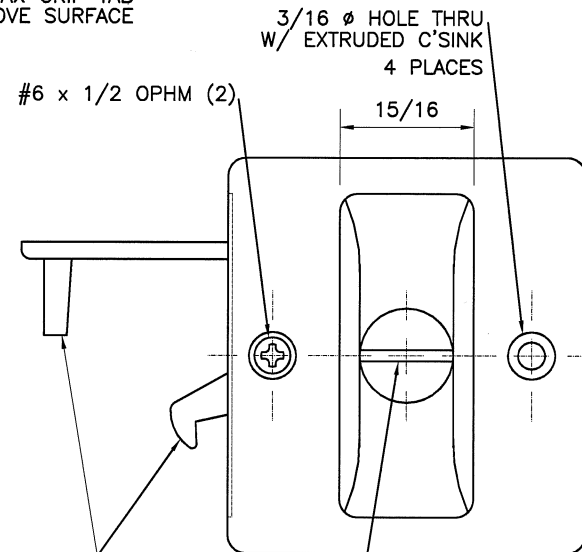
FLAT BLADE SCREWDRIVER SLOT



SHOWN WITH LOCK ARM & PULL LEVER OPENED



.100 MAX GRIP TAB ABOVE SURFACE



FINGER GRIP TAB TO OPEN/CLOSE LOCK ARM



HAGER RESERVES THE RIGHT TO MAKE DESIGN CHANGES WITHOUT NOTICE. CALL HAGER ENGINEERING AT 1-800-325-9995 FOR THE LATEST REVISION DATE OF TEMPLATE.

PRIMARY DIMENSIONS SHOWN IN INCHES, DIMENSIONS IN [] ARE MILLIMETERS.

MATERIAL	
FINISH	
DO NOT SCALE DRAWING	

DRAWN	NJANSEN	1/08/2008
ENG. APPR.	MMCRAE	1/08/2008
Q.A.		
TOLERANCES:		
FRACTIONAL: ±0.015"		
ANGULAR: MACH: ±1° BEND: ±1°		
TWO PLACE DECIMAL: ±0.01"		
THREE PLACE DECIMAL: ±0.004"		

330L POCKET DOOR PRIVACY LATCH		REV.
SIZE	DWG. NO.	
A	M-TA00014	
SCALE: 1:1		SHEET 1 OF 1