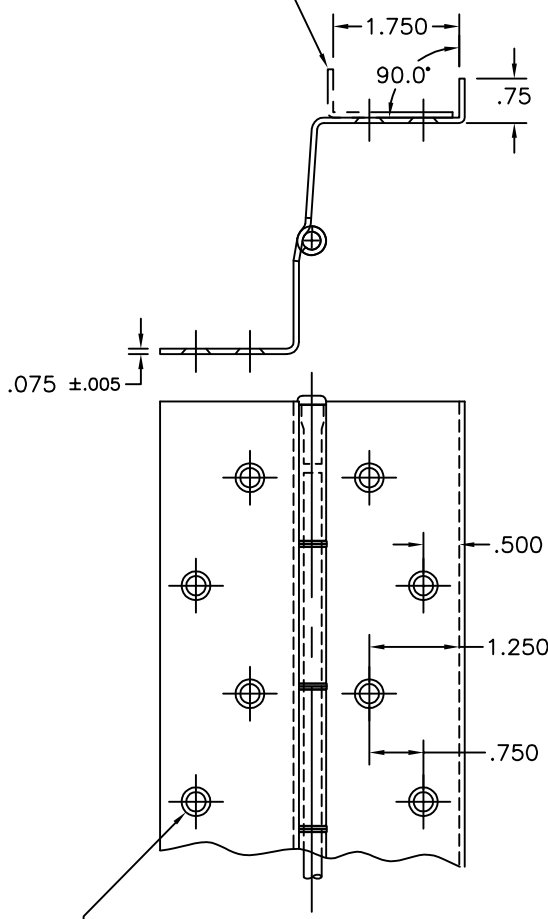


**APPLICATION**

SCALE: 3/4

FOR EDGE GAURD DETAIL, SEE DRAWING 7469750X



**HOLE PATTERN DETAIL**

SCALE: 3/8

**NOTES:**

- MATERIAL: .075 STAINLESS STEEL #304-2B FINISH
- ALL DIMENSIONS ARE IN INCHES
- DRAWINGS ARE NOT TO SCALE
- KNUCKLE PATTERN MAY VARY

TOLERANCE	DEF	QTY	SH	STOCK SIZE	MAT'L	REMARKS
X = ±.000 XX = ±.030 XXX = ±.015 ANGLE = ±.2° FRACTION = ± 1/32						
REMOVE ALL BURRS BREAK SHARP EDGES .010 MAX						
				<b>Bill of Material</b>		
				HAGER COMPANIES HAGER - MODEL 790-926 - 79" CONTINUOUS STAINLESS STEEL HINGE		
				DATE 05-02-03 BY MRO DRAWN AS NOTED CHECKED BY [Signature] APPROVED BY [Signature]		
				DRAWING NO. 790-926 - 79"		