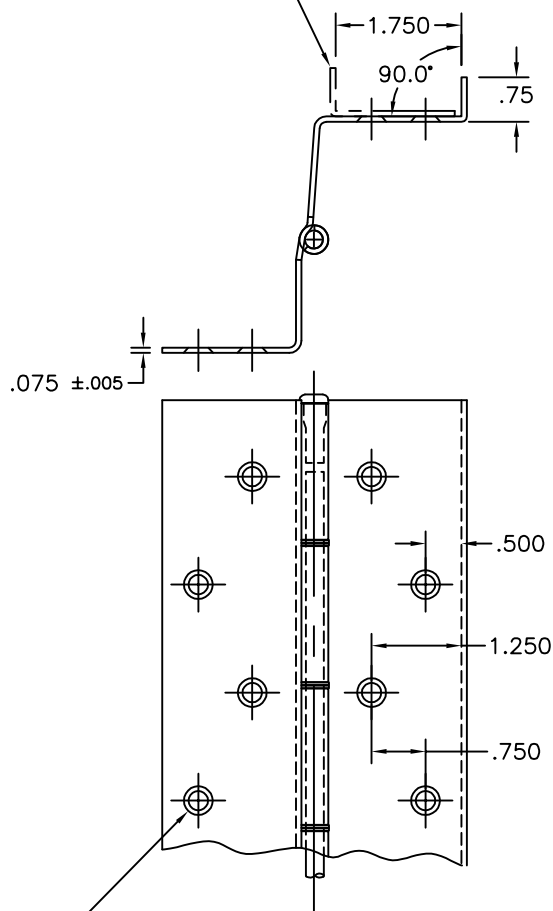


APPLICATION

SCALE: 3/4

FOR EDGE GAURD DETAIL,
SEE DRAWING 7469750X



PIERCE & COUNTERSINK FOR
#10 FLAT HEAD SCREW,
- SCREW HEAD FLUSH ± .010

HOLE PATTERN DETAIL

SCALE: 3/8

NOTES:

- MATERIAL: .075 STAINLESS STEEL #304-2B FINISH
- ALL DIMENSIONS ARE IN INCHES
- DRAWINGS ARE NOT TO SCALE
- KNUCKLE PATTERN MY VARY

TOLERANCE	DET	QTY	SH	STOCK SIZE	MAT'L	REMARKS
J						
JX						
J00K						
ANGLE						
FRACTION						
REMOVE ALL BURRS BREAK SHARP EDGES .010 MAX						
Bill of Material						
REVISIONS						
HAGER COMPANIES						
HAGER - MODEL 790-926 - 119"						
CONTINUOUS STAINLESS STEEL HINGE						
DATE: 06-18-03 BY: KBU						
DRAWING NO. 790-926 - 119"						