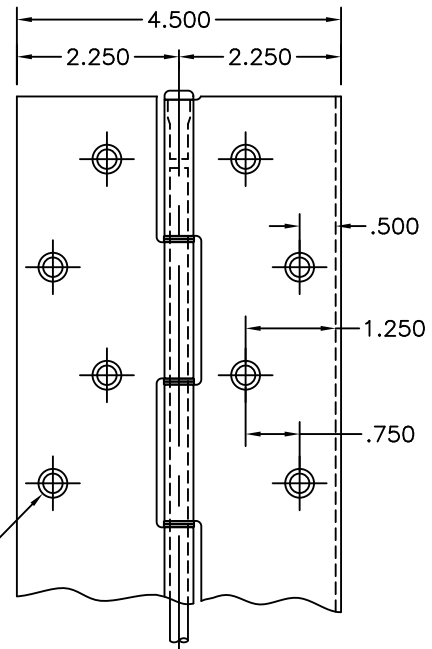
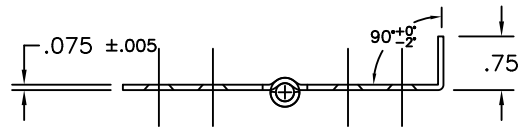


APPLICATION

SCALE: 3/4



PIERCE & COUNTERSINK FOR
#10 FLAT HEAD SCREW,
- SCREW HEAD FLUSH ± .010

HOLE PATTERN DETAIL

SCALE: 3/8

NOTES:

- MATERIAL: .075 STAINLESS STEEL #304-2B FINISH
- ALL DIMENSIONS ARE IN INCHES
- DRAWINGS ARE NOT TO SCALE
- KNUCKLE PATTERN MAY VARY

TOLERANCE		DET	QTY	SH	STOCK SIZE	MAT'L	REMARKS
PRACTICAL							
.X	± .080						
.XX	± .030						
.XXX	± .015						
ANGLE	± .7						
FRACTION	± 1/32						
REMOVE ALL BURRS BREAK SHARP EDGES .010 MAX							
REVISIONS					Bill of Material		
					HAGER COMPANIES		
					HAGER - MODEL 790-915 - 79"		
					CONTINUOUS STAINLESS STEEL HINGE		
					DATE: 05-09-03		
					DRAWING NO. 790-915 - 79"		