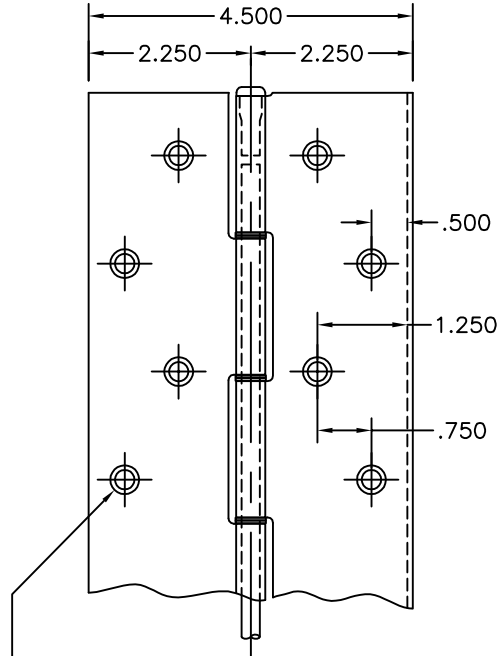
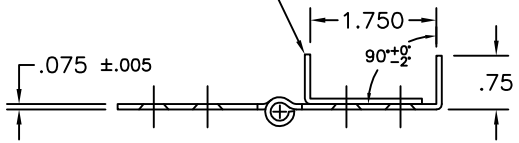


APPLICATION

SCALE: 3/4

FOR EDGE GAURD DETAIL, SEE DRAWING 7469750X



HOLE PATTERN DETAIL

SCALE: 3/8

NOTES:

- MATERIAL: .075 STAINLESS STEEL #304-2B FINISH
- ALL DIMENSIONS ARE IN INCHES
- DRAWINGS ARE NOT TO SCALE
- KNUCKLE PATTERN MY VARY

TOLERANCE	DET	QTY	SH	STOCK SIZE	MAT'L	REMARKS
(SEE DRAWING)						
	Bill of Material					
	HAGER COMPANIES					
	HAGER - MODEL 790-905 - 95"					
	CONTINUOUS STAINLESS STEEL HINGE					
	REV 08-18-03 KLU HMK AS NOTED					
	REMOVE ALL BURRS					
	BREAK SHARP EDGES .010 MAX					
	DRAWING NO. 790-905 - 95"					