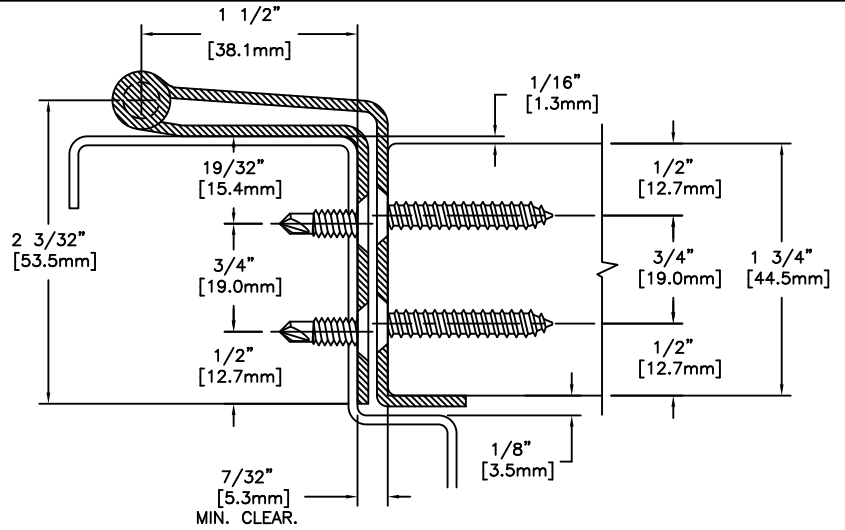
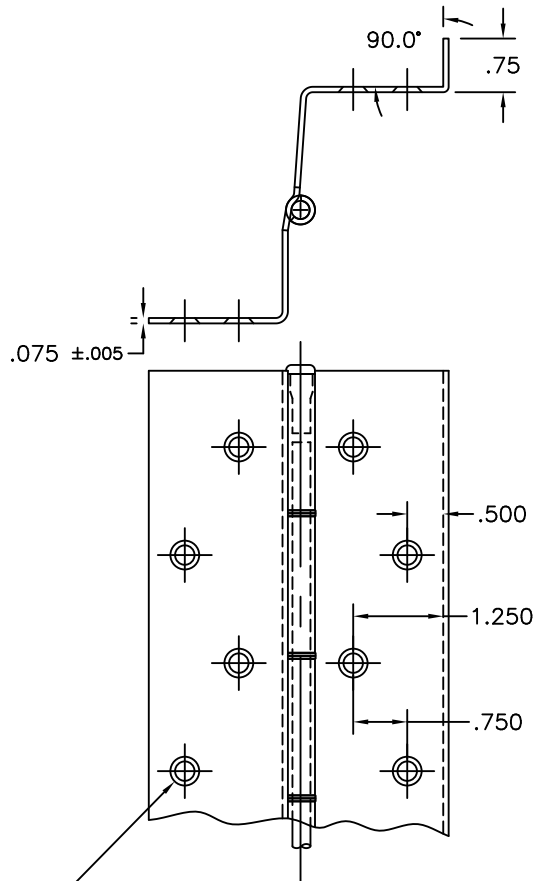


38 PLACES



### APPLICATION

SCALE: 3/4



PIERCE & COUNTERSINK FOR #10 FLAT HEAD SCREW, - SCREW HEAD FLUSH ± .010

### HOLE PATTERN DETAIL

SCALE: 3/8

### NOTES:

- MATERIAL: .075 STAINLESS STEEL #304-2B FINISH
- ALL DIMENSIONS ARE IN INCHES
- DRAWINGS ARE NOT TO SCALE
- KNUCKLE PATTERN MAY VARY

TOLERANCE	DET	QTY	SH	STOCK SIZE	MATL	REMARKS
± .000						
± .030						
± .015						
± .005						
± 1/32						
REMOVE ALL BURRS BREAK SHARP EDGES .010 MAX						
Bill of Material						
REVISONS						
HAGER - MODEL 790-911 - 79 CONTINUOUS STAINLESS STEEL HINGE						
DATE: 04.14.14 IN: SEW MARK: AS NOTED						
DRAWING NO. 790-911 - 79						