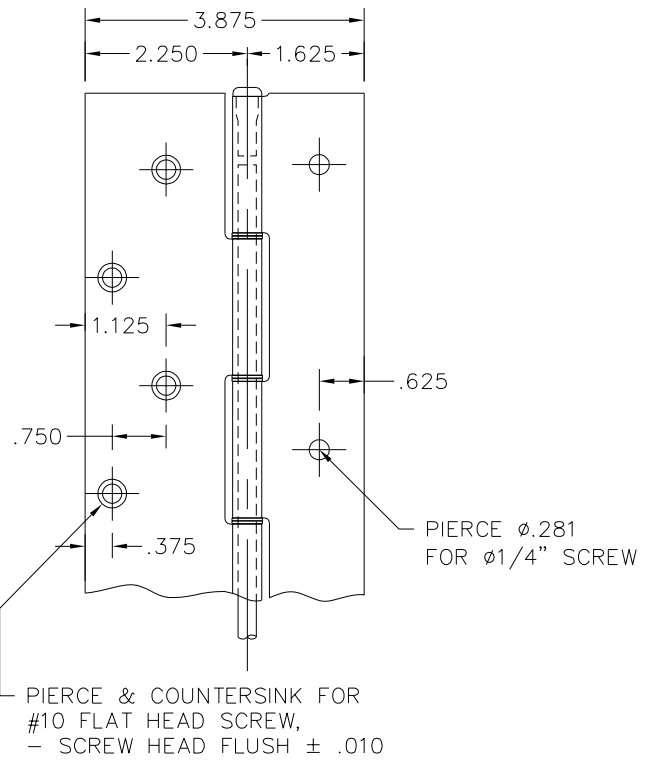
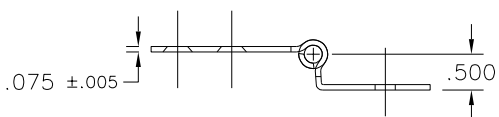


**APPLICATION**

SCALE: 3/4



**HOLE PATTERN DETAIL**

SCALE: 3/8

**NOTES:**

- MATERIAL: .075 STAINLESS STEEL #304-2B FINISH
- ALL DIMENSIONS ARE IN INCHES
- DRAWINGS ARE NOT TO SCALE
- KNUCKLE PATTERN MAY VARY

TOLERANCE (UNLESS NOTED)	DET	QTY	SH	STOCK SIZE	MATL	REMARKS																				
.X = ± .060	<table border="1"> <tr> <th colspan="2">REVISIONS</th> <th colspan="2">Bill of Material</th> </tr> <tr> <td>.XX = ± .030</td> <td colspan="2">HAGER COMPANIES</td> <td>REVISED BY</td> </tr> <tr> <td>.XIX = ± .015</td> <td colspan="2">HAGER - MODEL 790-904 - 85"</td> <td>DATE</td> </tr> <tr> <td>ANGLE = ± 2°</td> <td colspan="2">CONTINUOUS STAINLESS STEEL HINGE</td> <td></td> </tr> <tr> <td>FRACTION = ± 1/32</td> <td colspan="2"></td> <td></td> </tr> </table>						REVISIONS		Bill of Material		.XX = ± .030	HAGER COMPANIES		REVISED BY	.XIX = ± .015	HAGER - MODEL 790-904 - 85"		DATE	ANGLE = ± 2°	CONTINUOUS STAINLESS STEEL HINGE			FRACTION = ± 1/32			
REVISIONS							Bill of Material																			
.XX = ± .030							HAGER COMPANIES		REVISED BY																	
.XIX = ± .015							HAGER - MODEL 790-904 - 85"		DATE																	
ANGLE = ± 2°							CONTINUOUS STAINLESS STEEL HINGE																			
FRACTION = ± 1/32																										
REMOVE ALL BURRS BREAK SHARP EDGES .010 MAX	02-16-03		JKU	AS NOTED																						
DRAWING NO. 790-904 - 85"																										