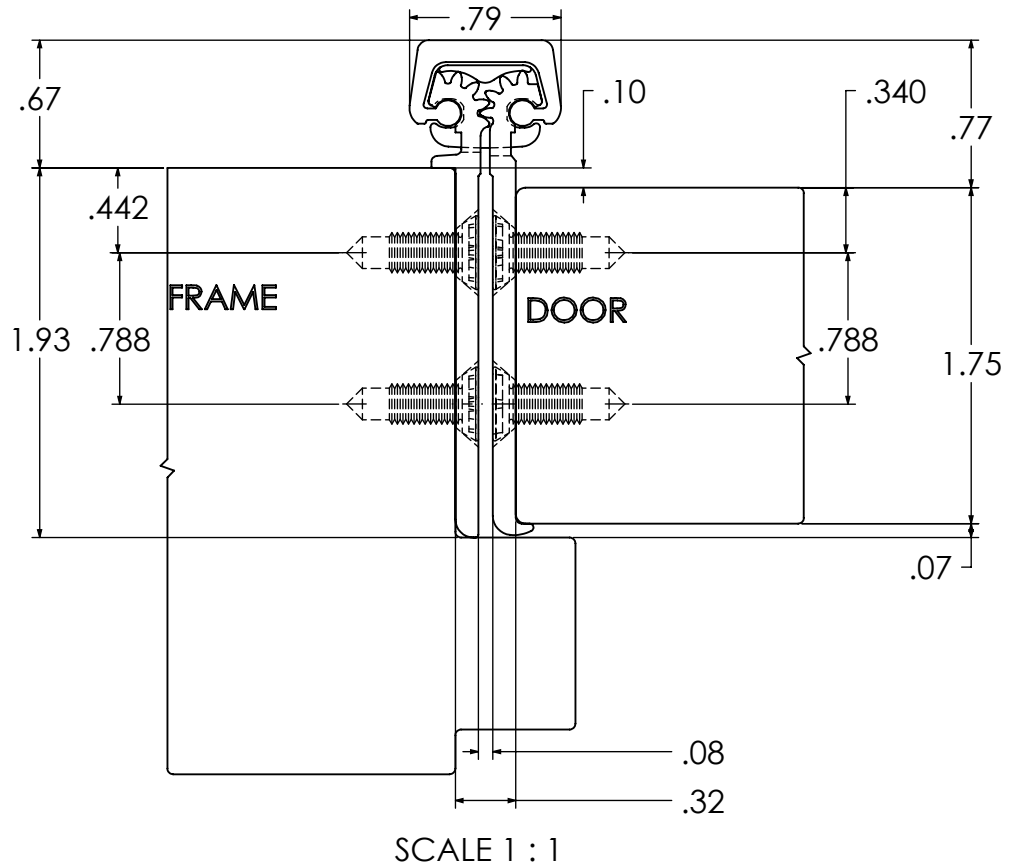
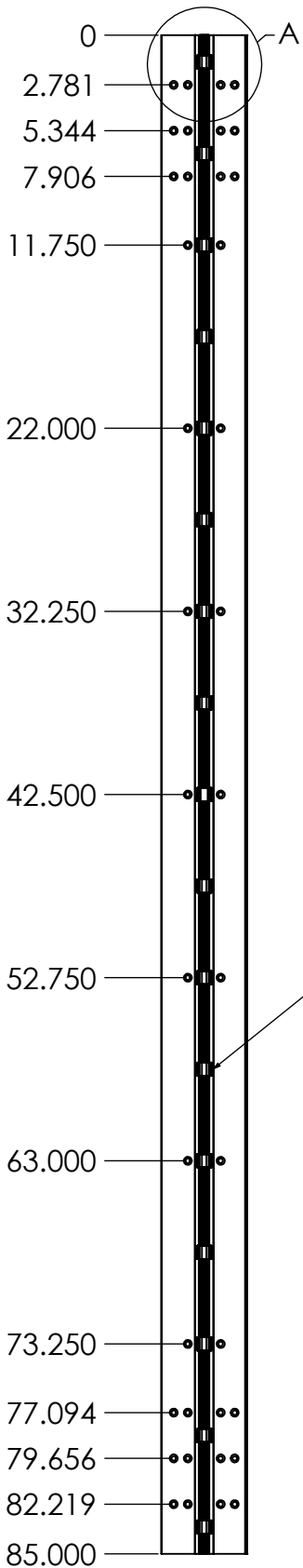


TEMPLATE FOR FULL MORTISE CONTINUOUS GEARED ALUMINUM HINGE



BEARINGS  
17 PLACES

#12 FLAT  
HEAD SCREW  
38 PLACES

2.781  
FIRST  
HOLES

