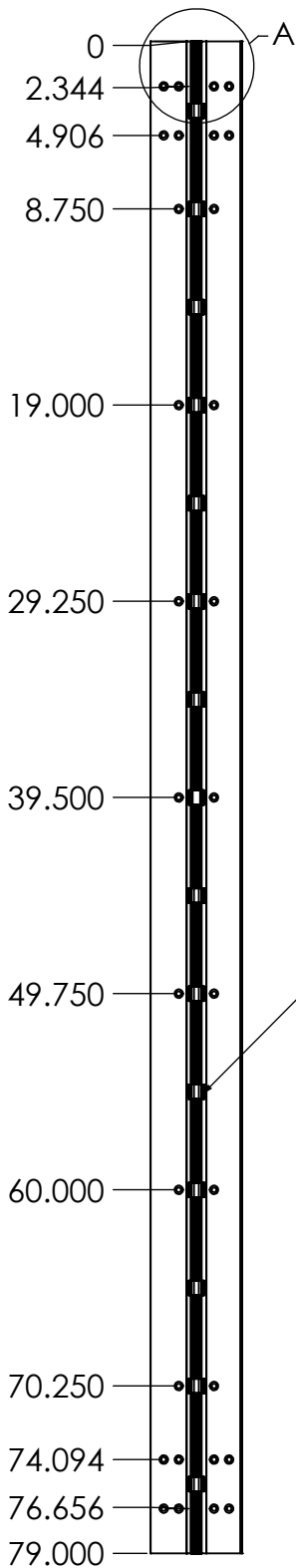
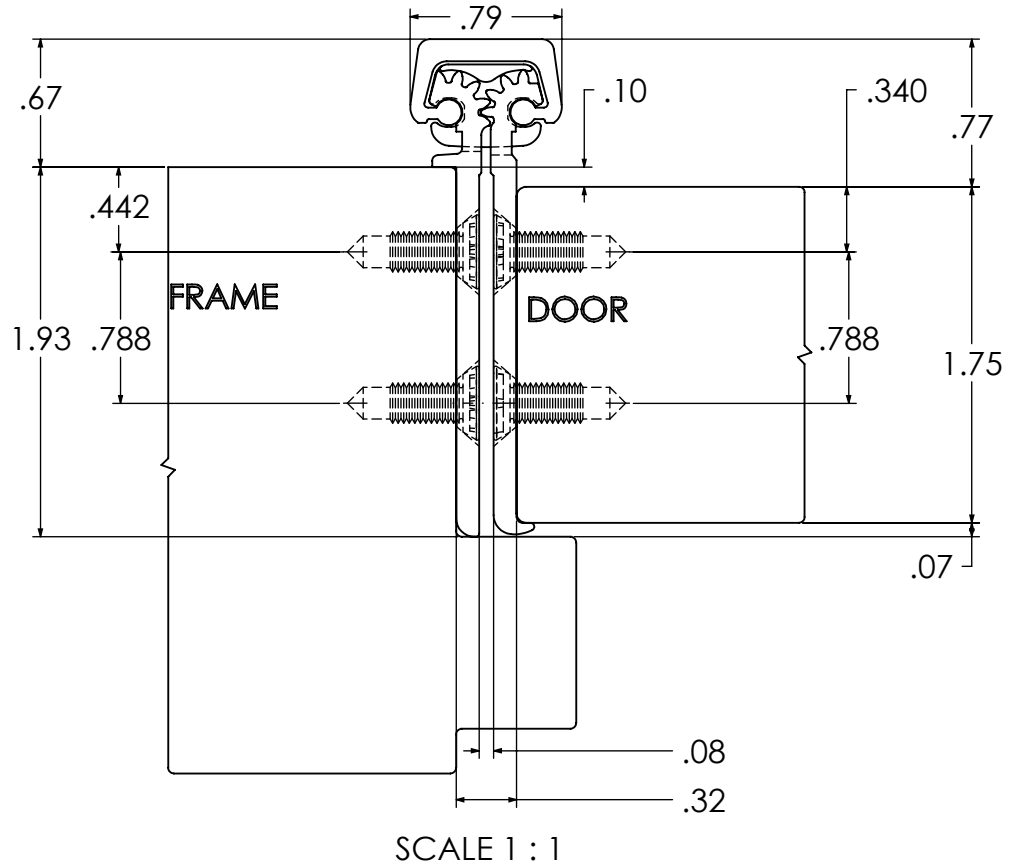


TEMPLATE FOR FULL MORTISE CONTINUOUS GEARED ALUMINUM HINGE



BEARINGS
15 PLACES



#12 FLAT
HEAD SCREW
30 PLACES

