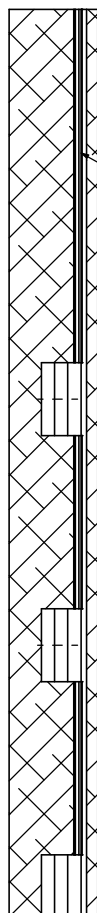
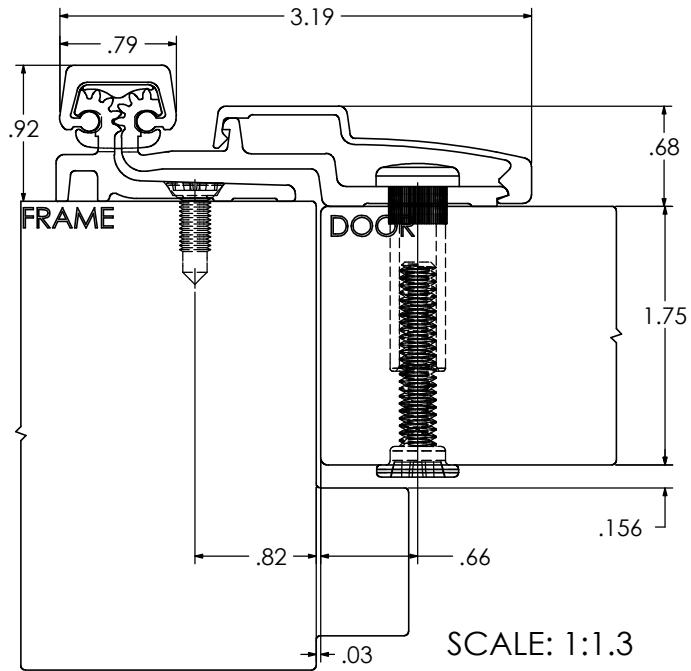
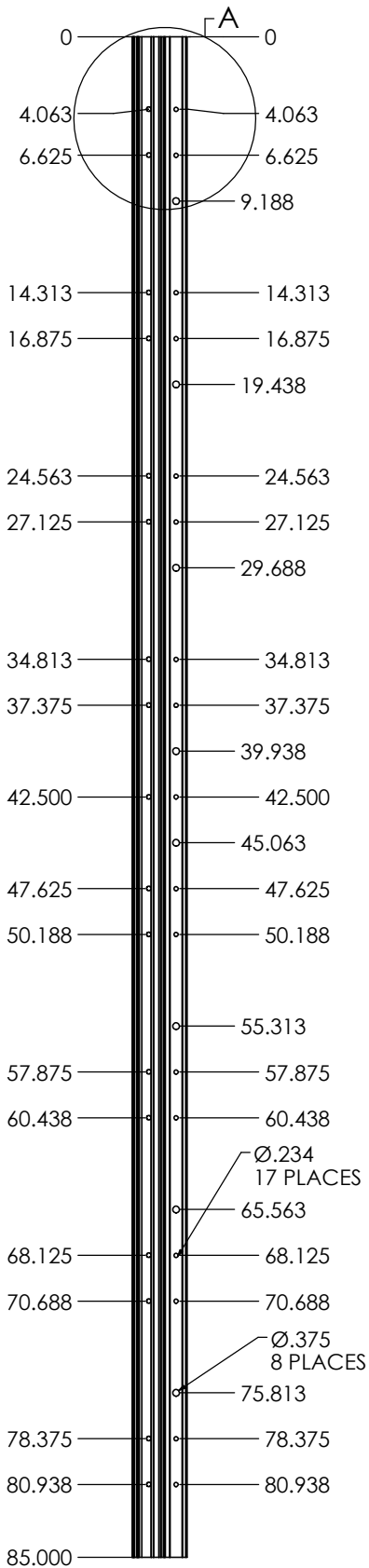
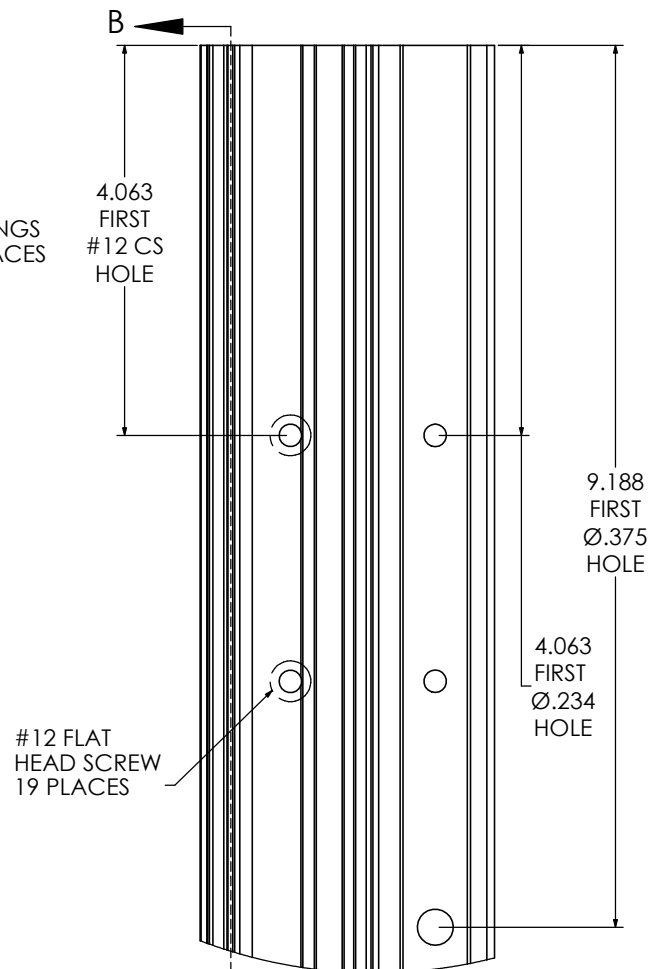


TEMPLATE FOR FULL SURFACE CONTINUOUS GEARED ALUMINUM HINGE



SECTION B-B
SCALE 1 : 2



DETAIL A
SCALE 1 : 2