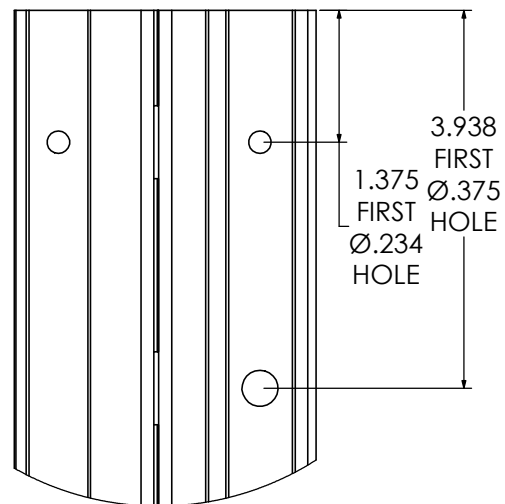
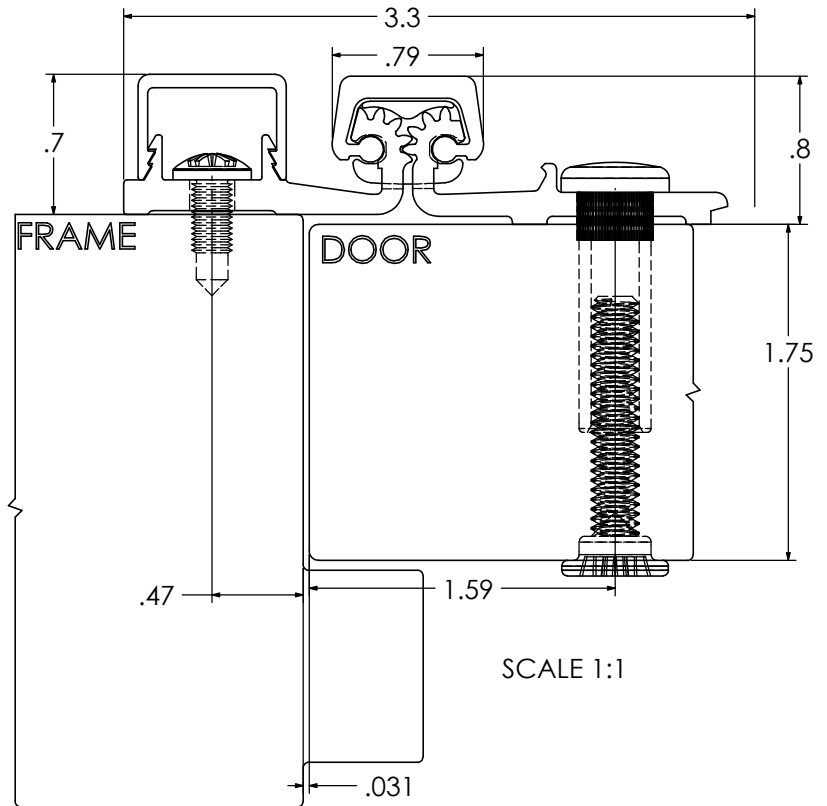
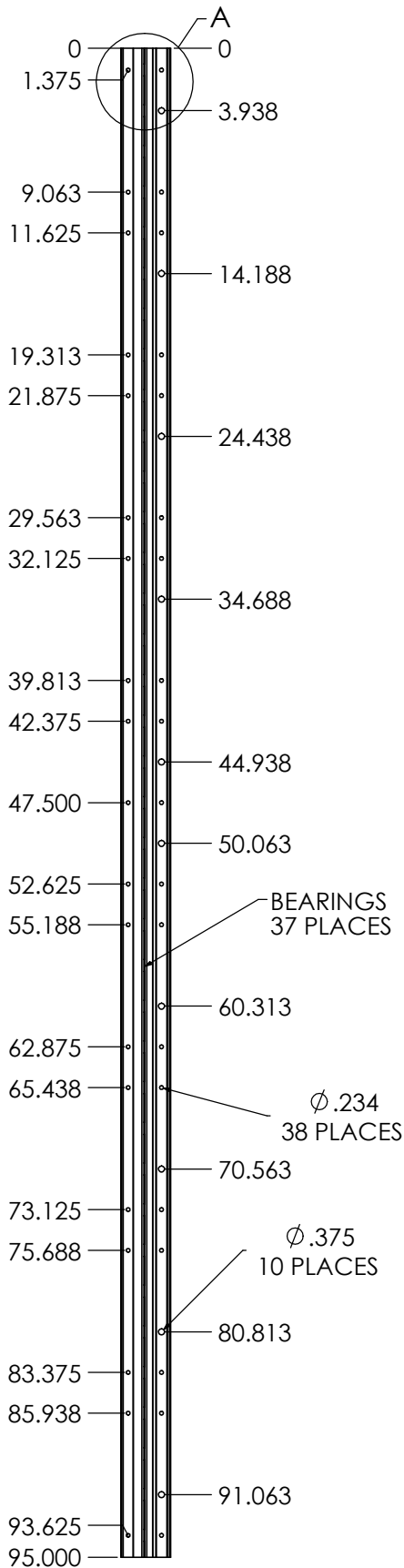


TEMPLATE FOR FULL SURFACE CONTINUOUS GEARED ALUMINUM HINGE



DETAIL A
SCALE 1 : 2