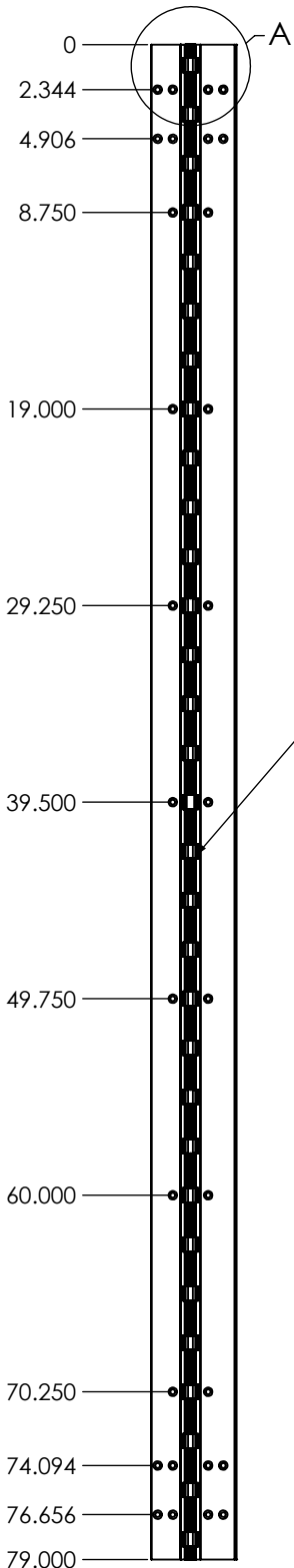


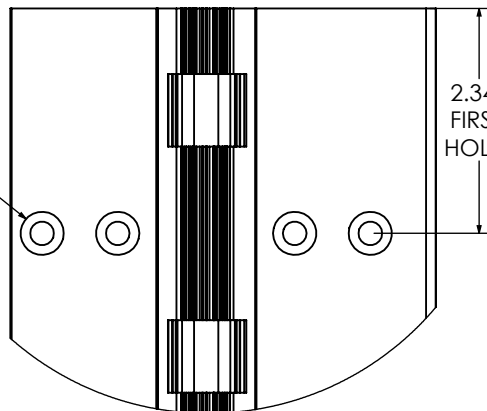
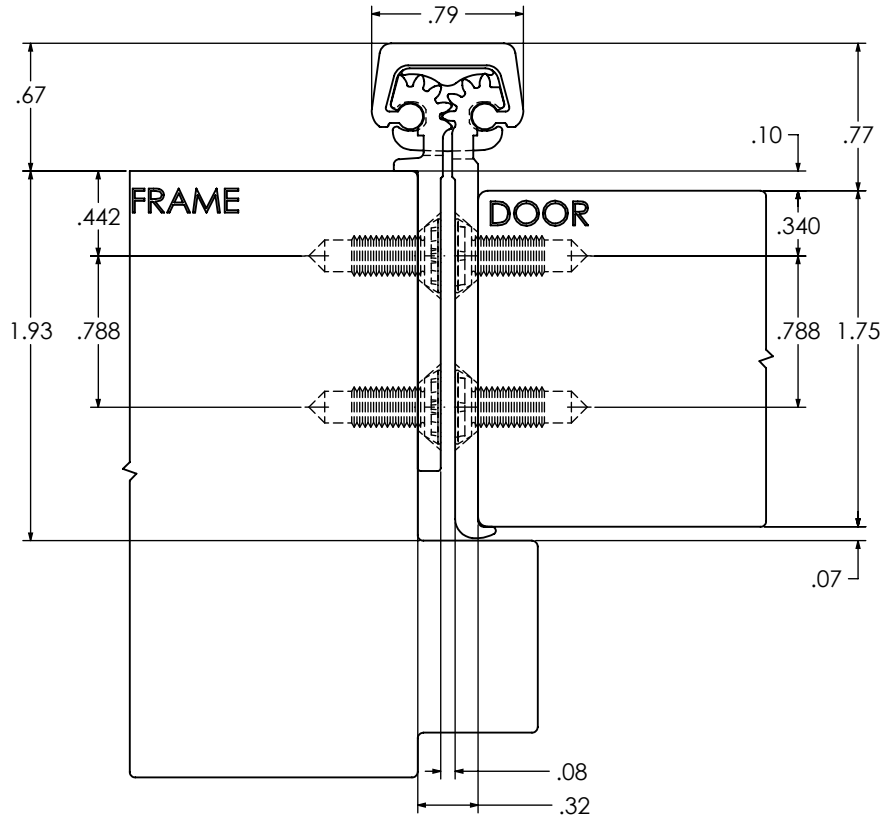
TEMPLATE FOR FULL MORTISE CONTINUOUS GEARED ALUMINUM HINGE



BEARINGS
31 PLACES

#12 FLAT
HEAD SCREW
30 PLACES

2.344
FIRST
HOLES



DETAIL A
SCALE 1 : 2