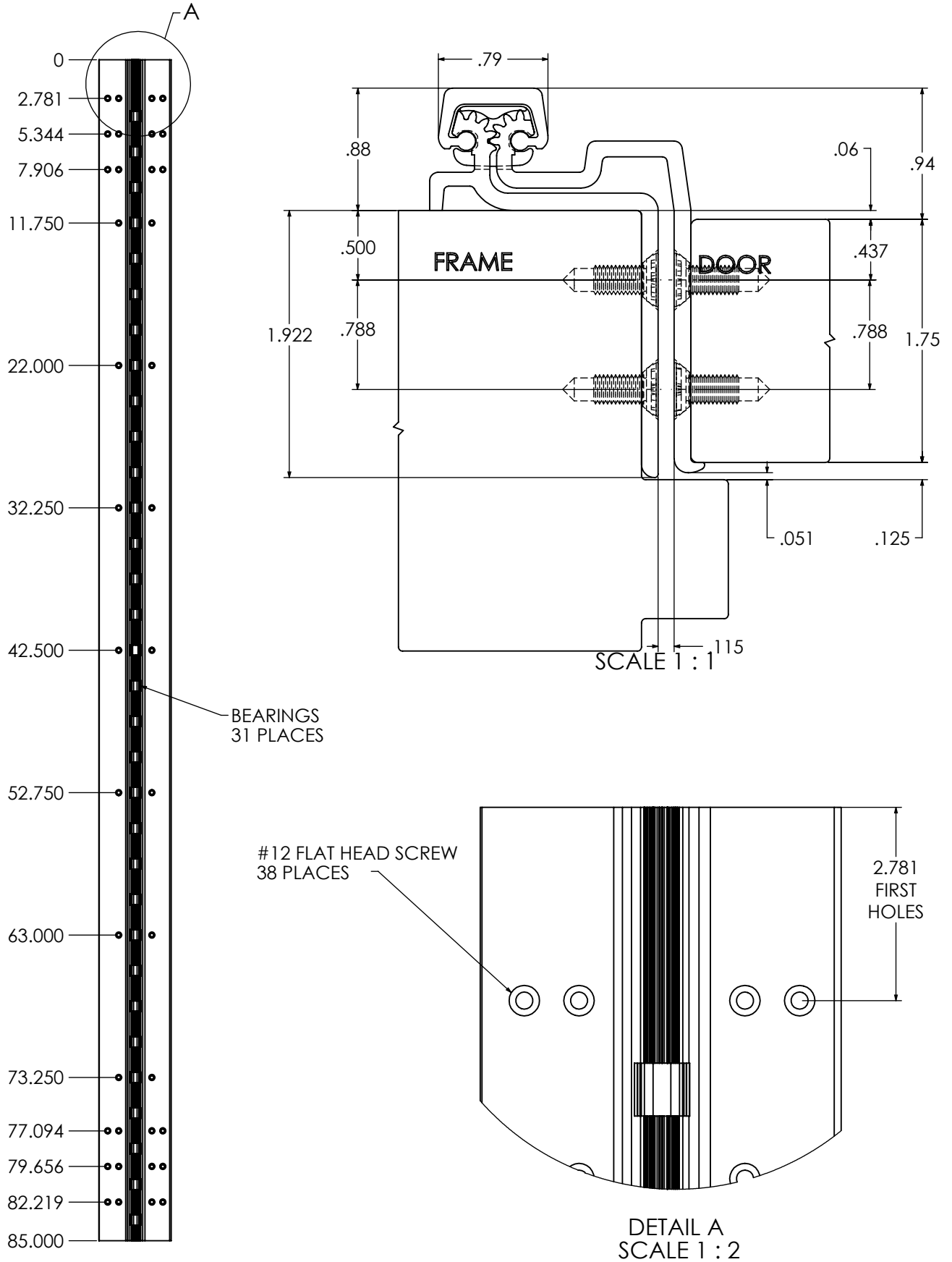


TEMPLATE FOR FULL MORTISE SWING CLEAR CONTINUOUS GEARED ALUMINUM HINGE



BEARINGS
31 PLACES

#12 FLAT HEAD SCREW
38 PLACES

2.781
FIRST
HOLES

DETAIL A
SCALE 1 : 2