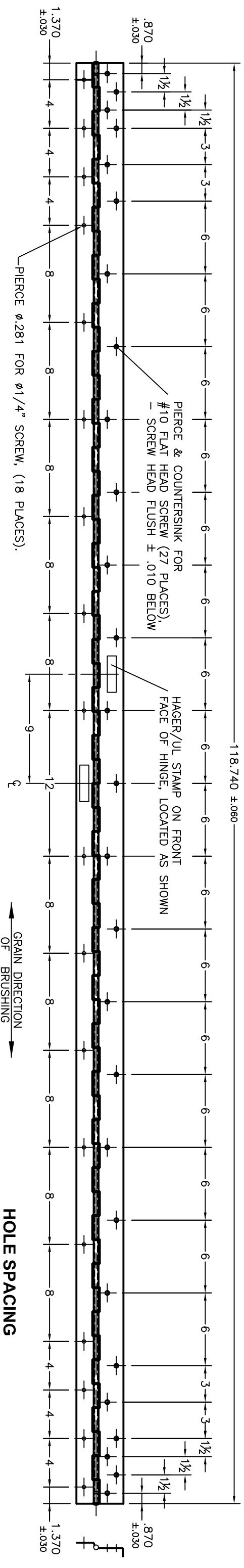
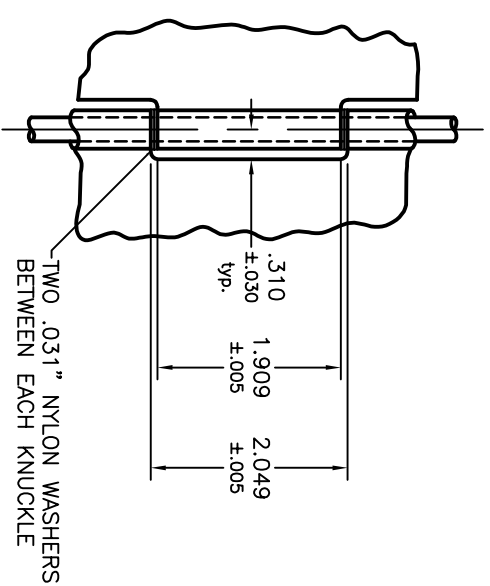
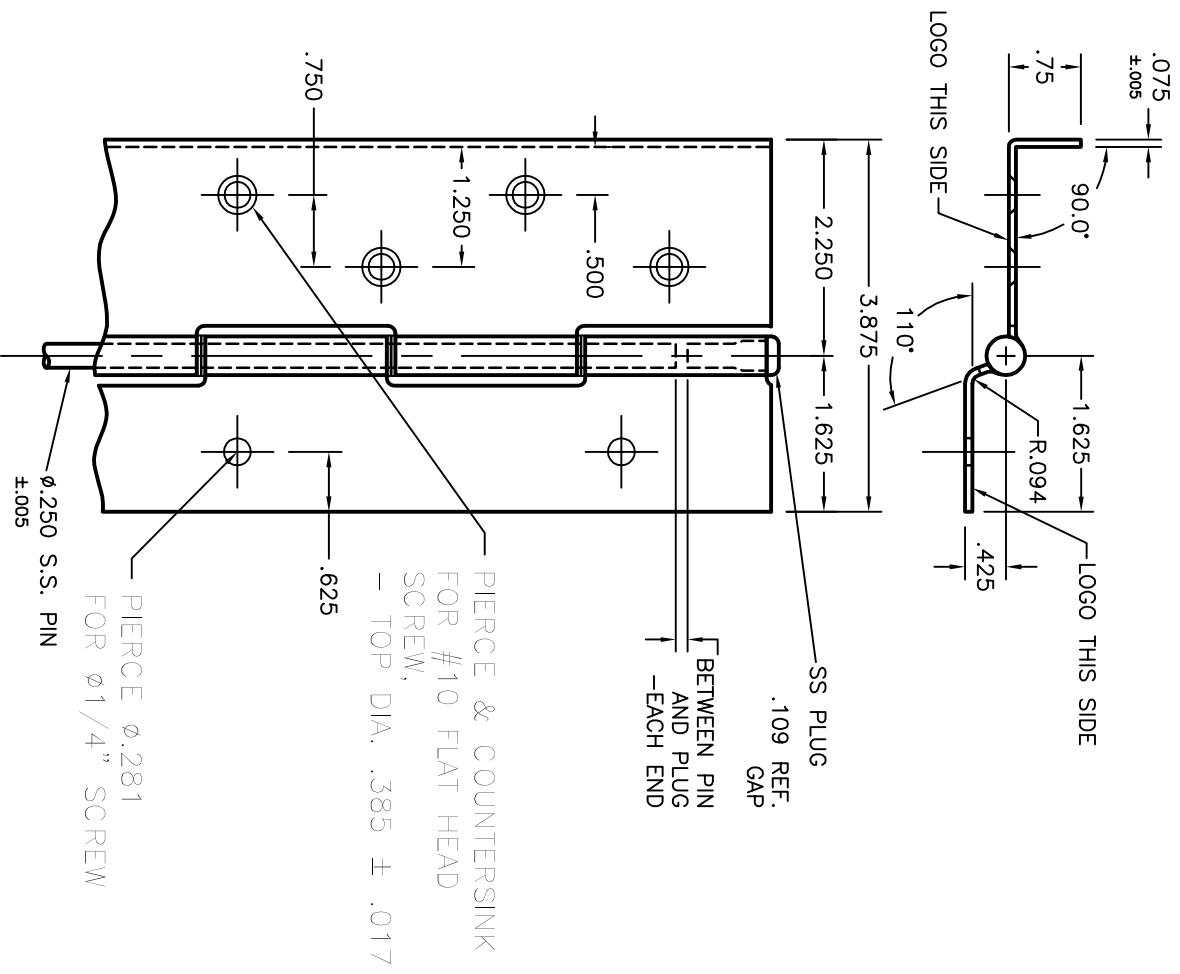


Refer to the General Information section titled Door and Frame Dimensioning.



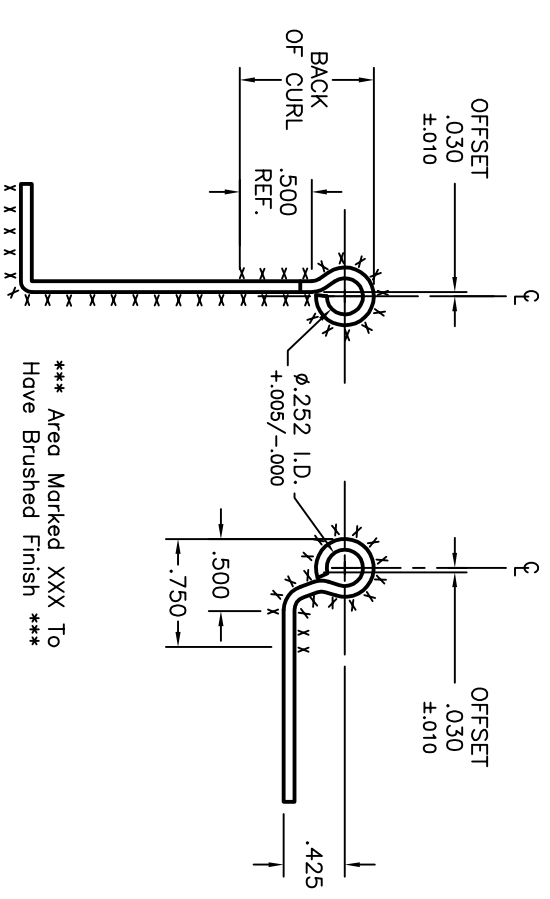
HOLE SPACING

SCALE: 1/8



KNUCKLE DETAIL

SCALE: 1/2



SWAGING DETAIL

SCALE: 3/4

NOTES:

- MATERIAL: .075 STAINLESS STEEL #304-2B FINISH
- ALL DIMENSIONS ARE IN INCHES
- DRAWINGS ARE NOT TO SCALE
- KNUCKLE PATTERN MY VARY
- PARTS ARE TO BE DEGREASED
- AREA OF BRUSHING TO HAVE MINIMAL SCRATCHES & DIE MARKS

HOLE PATTERN DETAIL

SCALE: 1/2

TOLERANCE (UNLESS NOTED)		DET	QTY	SH	STOCK SIZE	MAT'L	REMARKS
.X	± .060						
.XXX	± .030						
ANGLE	± .015						
FRACTION	± 1/32						
REMOVE ALL BURRS BREAK SHARP EDGES .010 MAX							
Revisions							
Bill of Material							
HAGER COMPANIES							
HAGER HIGHWAY 78 WEST P.O. BOX 3368 38003 OREGON, OREGON 97138							
HAGER - MODEL 790-906 - 119" CONTINUOUS STAINLESS STEEL HINGE							
DATE	DR	MRD	SCALE	AS NOTED			
08-26-04							
FILENAME: z:\stefinhess\temp\pdr\790906.dwg							
DRAWING NO. 74698034							