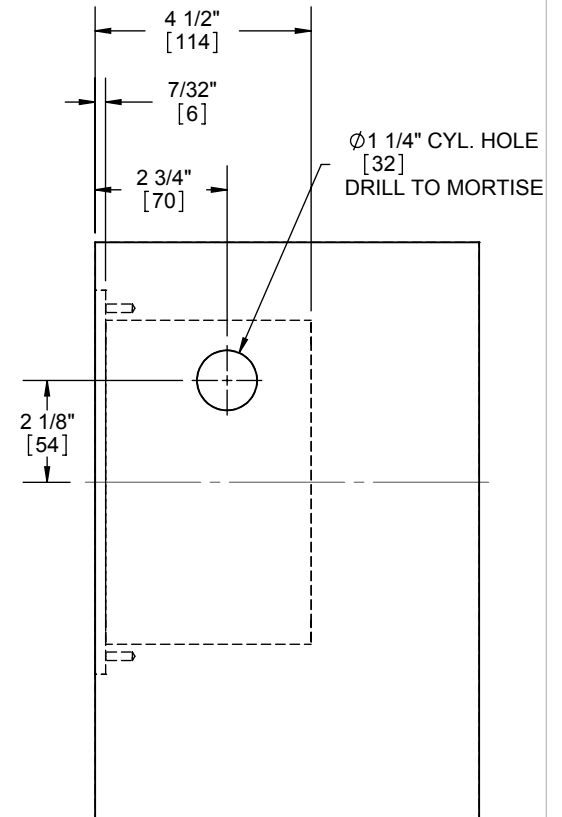
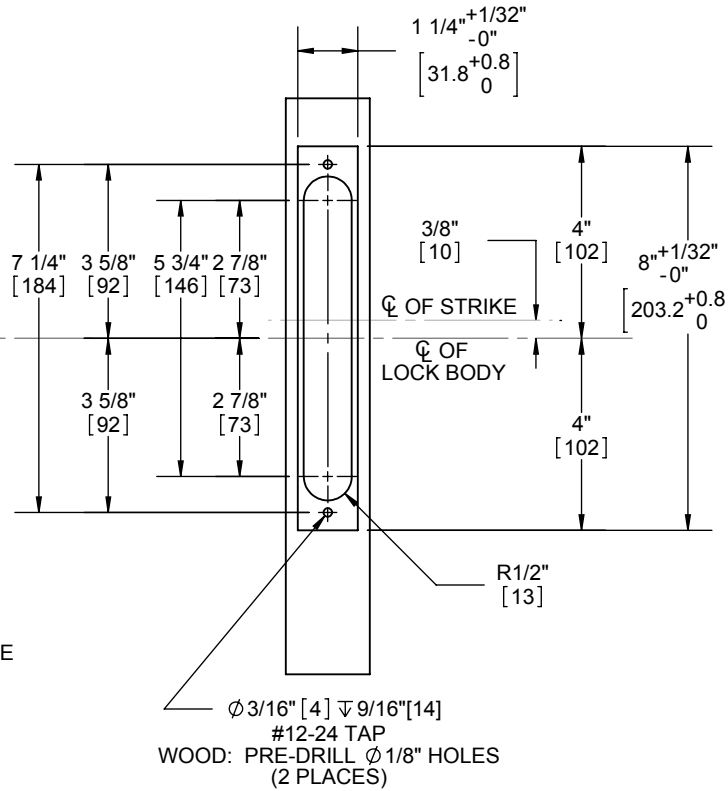


INSIDE



OUTSIDE

(RH, RHR SECTIONAL SHOWN)



PROPRIETARY & CONFIDENTIAL
 THE INFORMATION CONTAINED
 IN THIS DRAWING IS THE SOLE
 PROPERTY OF HAGER
 COMPANIES. ANY REPRODUCTION
 IN PART OR AS A WHOLE WITHOUT
 THE WRITTEN PERMISSION OF
 HAGER COMPANIES IS PROHIBITED.

HAGER RESERVES
 THE RIGHT TO
 MAKE DESIGN
 CHANGES
 WITHOUT NOTICE.
 CALL HAGER
 ENGINEERING AT
 1-800-325-9995
 FOR THE LATEST
 REVISION DATE
 OF TEMPLATE.

MATERIAL	Material <not specified>	
FINISH	DO NOT SCALE DRAWING	
DRAWN	TJS	9/21/07
ENG. APPR.	-	-
Q.A.		
TOLERANCES: FRACTIONAL: ±0.015" ANGULAR: MACH: ± 1° BEND: ±1° TWO PLACE DECIMAL: ±0.01" THREE PLACE DECIMAL: ±0.004"		

3800		REV.
3800 SECTIONAL DOOR PREP, FUNCTION: 81 LOT		04
SIZE	DWG. NO.	
A	T-LS00771	
SCALE: 1:4	WEIGHT: 4.94	SHEET 11 OF 14