

1

2

3

4

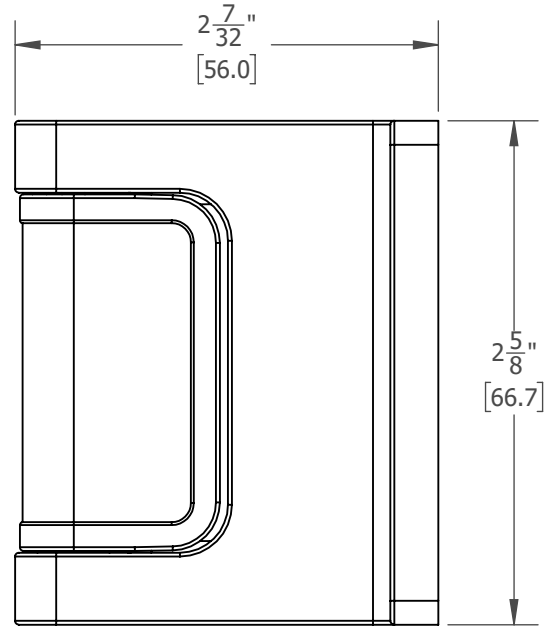
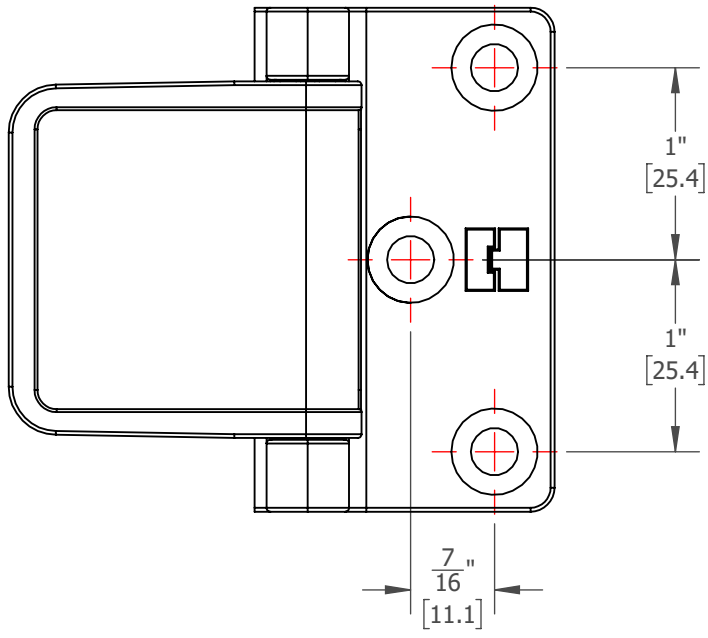
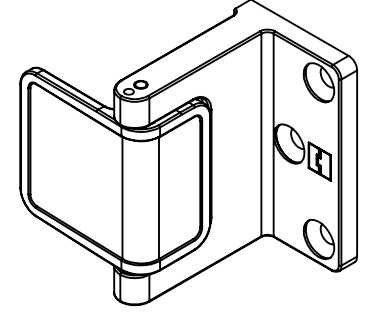
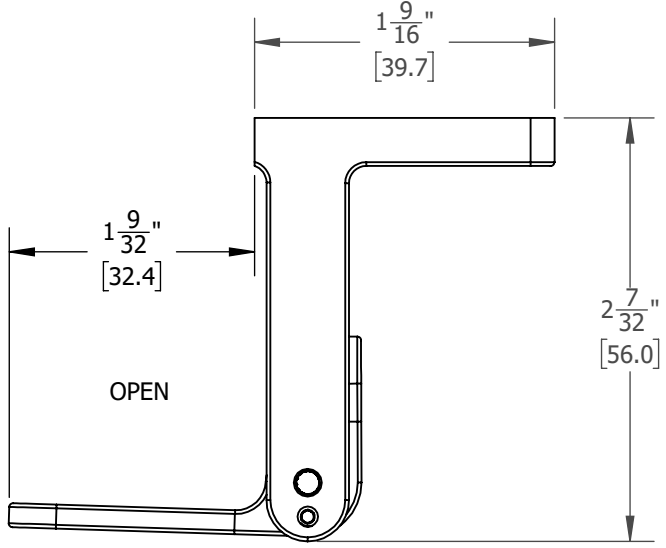
A

B

C

D

REV	DATE	EDITOR	ECO NO.	CHANGE DESCRIPTION
01	26 Feb 2021	MA	N/A	Added Horizontal Hole Dim



SCALE 1:2



**PROPRIETARY & CONFIDENTIAL**  
 THE INFORMATION CONTAINED IN THIS DRAWING IS THE SOLE PROPERTY OF HAGER COMPANIES. ANY REPRODUCTION IN PART OR AS A WHOLE WITHOUT THE WRITTEN PERMISSION OF HAGER COMPANIES IS PROHIBITED.

HAGER RESERVES THE RIGHT TO MAKE DESIGN CHANGES WITHOUT NOTICE. CALL HAGER ENGINEERING AT 1-800-325-9995 FOR THE LATEST REVISION DATE OF TEMPLATE.

ALL DIMENSIONS REFERENCE UNLESS TOLERANCE SPECIFIED.	DRAWN BY:	KJW	7/7/2017	SERIES NO.	PART NO.
	ENG. APPR.:	MAM	7/7/2017		277D
UNITS: INCH = AUTHORITY [ ] = MILLIMETER REFERENCE	THIRD ANGLE PROJECTION			PART DESCRIPTION:	
	MATERIAL:			PRIVACY DOOR LATCH	
DO NOT SCALE	FINISH: Customer Specified			DRAWING NO.	REVISION
	WEIGHT: 0.69 lbs			S-TA01219	01
				SHEET SIZE: A	SCALE: 1:1 SHEET 1 OF 1