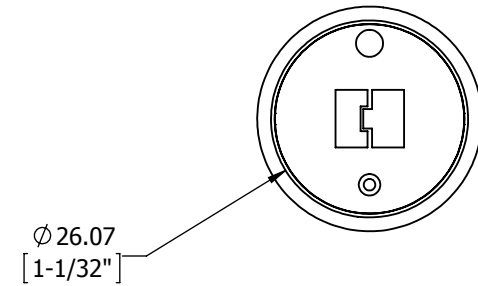
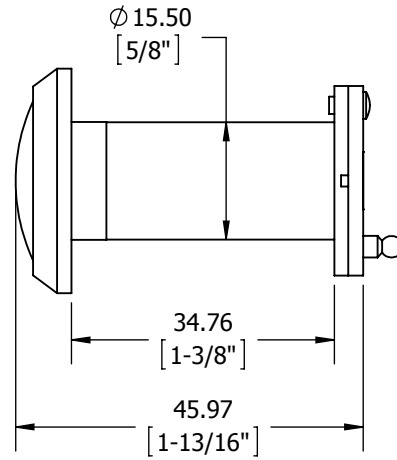
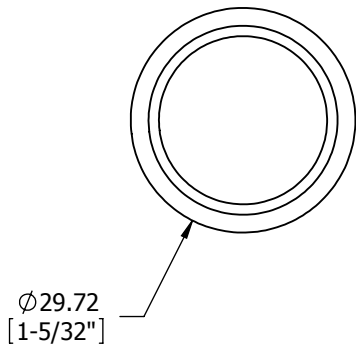


| REV. | DESCRIPTION | ECO NO. | DATE |
|------|-------------|---------|------|
|------|-------------|---------|------|



PROPRIETARY & CONFIDENTIAL
 THE INFORMATION CONTAINED
 IN THIS DRAWING IS THE SOLE
 PROPERTY OF HAGER
 COMPANIES. ANY REPRODUCTION
 IN PART OR AS A WHOLE WITHOUT
 THE WRITTEN PERMISSION OF
 HAGER COMPANIES IS PROHIBITED.

HAGER RESERVES
 THE RIGHT TO
 MAKE DESIGN
 CHANGES
 WITHOUT NOTICE.
 CALL HAGER
 ENGINEERING AT
 1-800-325-9995
 FOR THE LATEST
 REVISION DATE
 OF TEMPLATE.

| | |
|----------------------|--------------------------|
| MATERIAL | Material <not specified> |
| FINISH | - |
| DO NOT SCALE DRAWING | |

| | | |
|--|--------|-----------|
| DRAWN | RTHOMP | 8/12/2011 |
| ENG. APPR. | - | - |
| Q.A. | | |
| TOLERANCES: FRACTIONAL: $\pm 0.015"$ ANGULAR: MACH: $\pm 1^\circ$ BEND: $\pm 1^\circ$ TWO PLACE DECIMAL: $\pm 0.01"$ THREE PLACE DECIMAL: $\pm 0.004"$ | | |

| | | | |
|------------|--------------|------------------------|--|
| 1757 | | 200 DEGREE DOOR VIEWER | |
| SIZE | DWG. NO. | REV. | |
| A | S-TA00965 | -+ | |
| SCALE: 1:1 | WEIGHT: 0.03 | SHEET 1 OF 1 | |