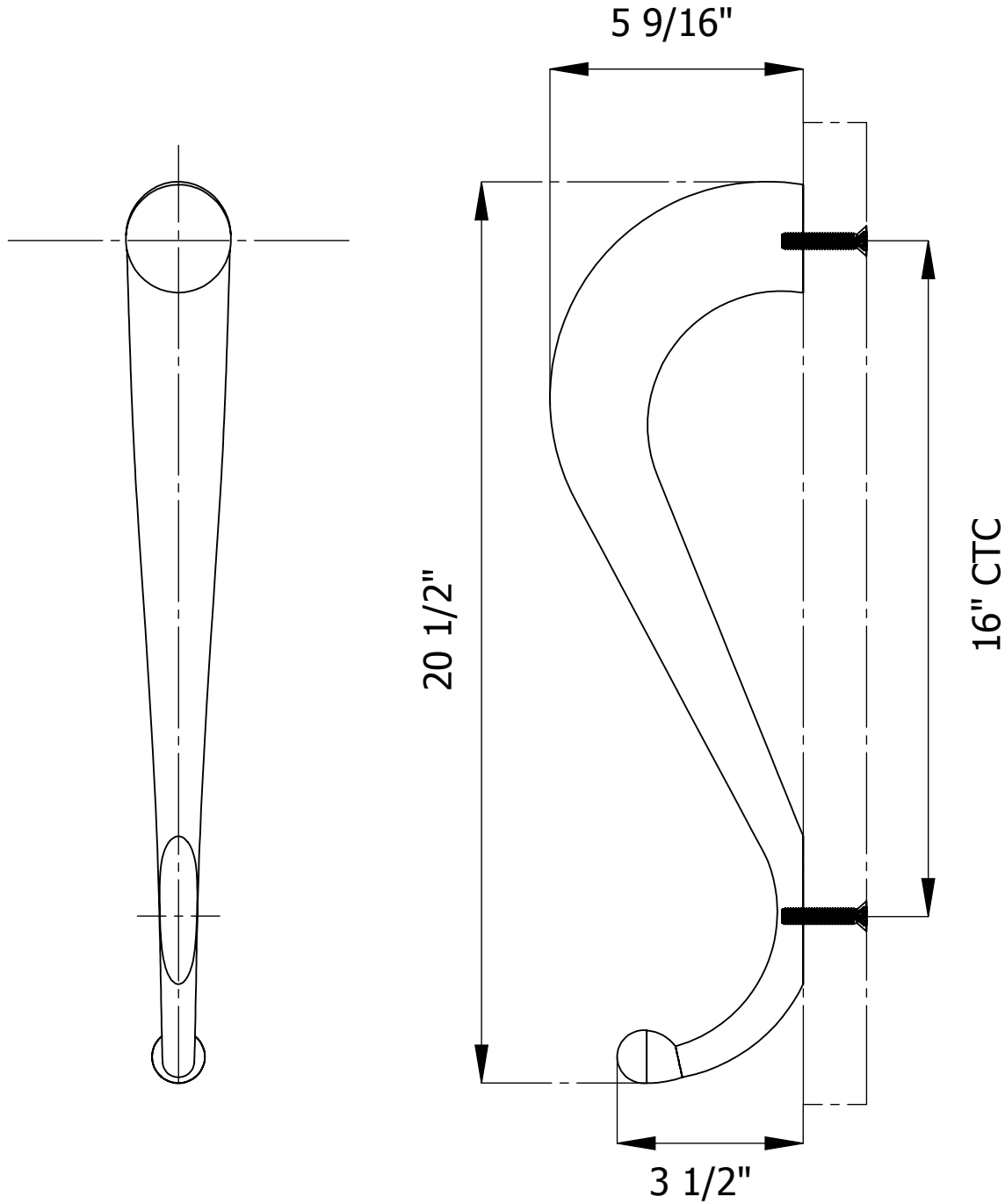


REV.	DESCRIPTION	ECO NO.	DATE
------	-------------	---------	------

NOTE:  
MTG BOLT: 3/8"-16



**PROPRIETARY & CONFIDENTIAL**  
THE INFORMATION CONTAINED IN THIS DRAWING IS THE SOLE PROPERTY OF HAGER COMPANIES. ANY REPRODUCTION IN PART OR AS A WHOLE WITHOUT THE WRITTEN PERMISSION OF HAGER COMPANIES IS PROHIBITED.

HAGER RESERVES THE RIGHT TO MAKE DESIGN CHANGES WITHOUT NOTICE. CALL HAGER ENGINEERING AT 1-800-325-9995 FOR THE LATEST REVISION DATE OF TEMPLATE.

DRAWN	PK	11/21/2017
ENG. APPR.	-	-
MATERIAL BRASS OR BRONZE		
FINISH US3,US4,US10B,US15A,US26,US26D		
DO NOT SCALE DRAWING		
TOLERANCES: FRACTIONAL: ±0.015" ANGULAR: MACH: ± 1° BEND: ±1° TWO PLACE DECIMAL: ±0.01" THREE PLACE DECIMAL: ±0.004"		

967P CURVED DOOR PULL		SIZE <b>A</b>	DWG. NO. S-TA00798	REV. -+
SCALE: 1:4	WEIGHT: 2.30	SHEET 1 OF 1		