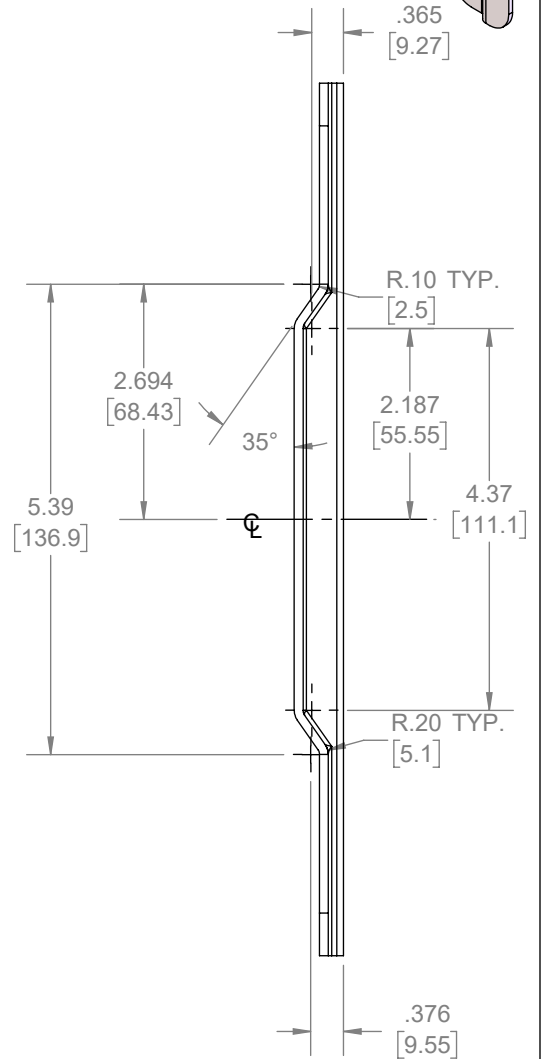
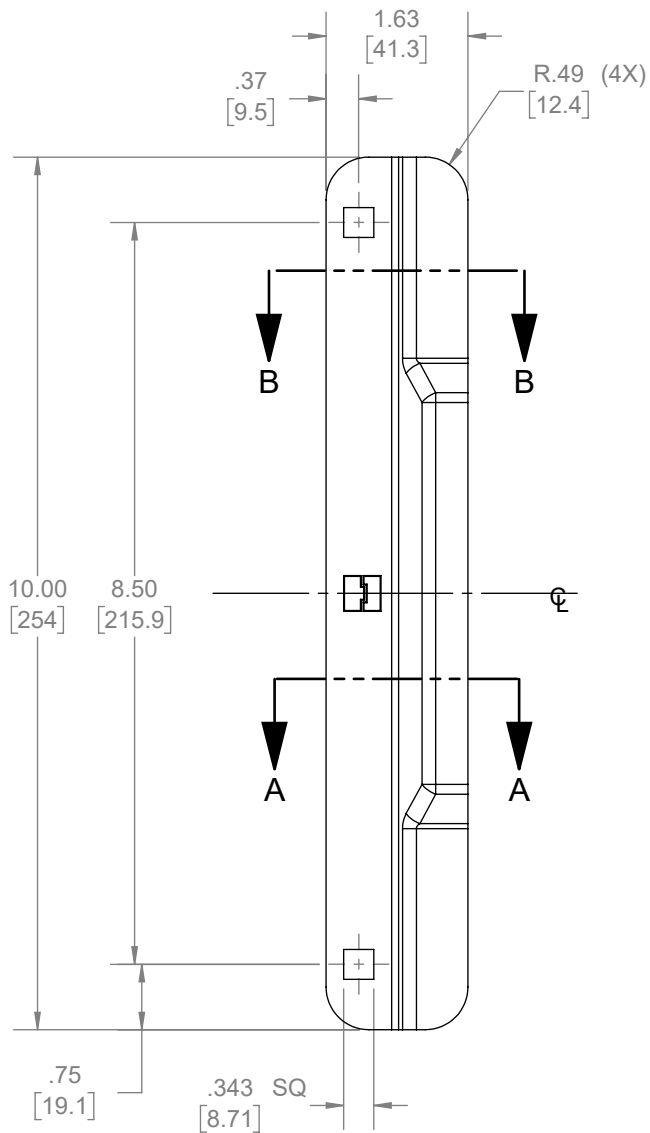
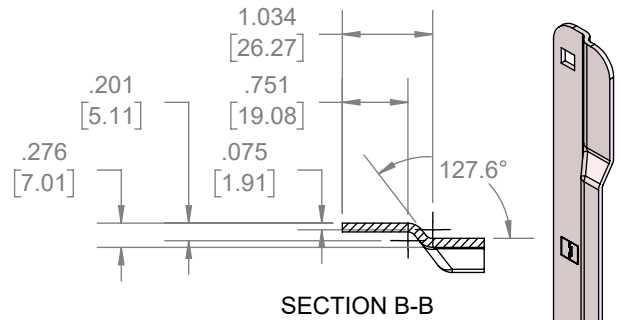
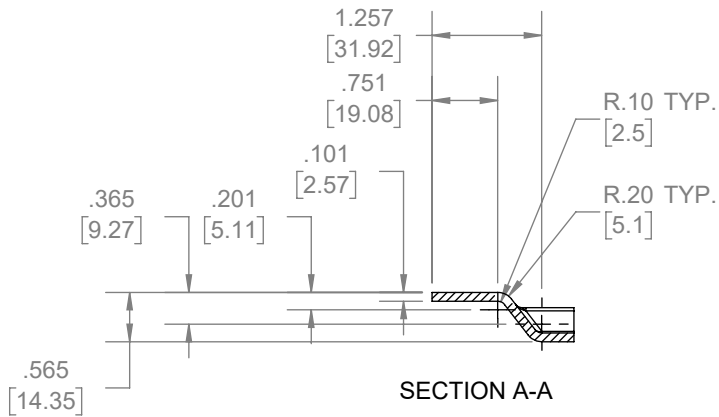


REV.	DESCRIPTION	ECO NO.	DATE
-	INITIAL CHECK IN		10/1/2013



NOTE:
REMOVE ALL SHARP EDGES



PROPRIETARY & CONFIDENTIAL
THE INFORMATION CONTAINED IN THIS DRAWING IS THE SOLE PROPERTY OF HAGER COMPANIES. ANY REPRODUCTION IN PART OR AS A WHOLE WITHOUT THE WRITTEN PERMISSION OF HAGER COMPANIES IS PROHIBITED.

HAGER RESERVES THE RIGHT TO MAKE DESIGN CHANGES WITHOUT NOTICE. CALL HAGER ENGINEERING AT 1-800-325-9995 FOR THE LATEST REVISION DATE OF TEMPLATE.

MATERIAL	12GA STEEL, STAINLESS STEEL
FINISH	603, 630
DO NOT SCALE DRAWING	

DRAWN	MRJ	6/21/2010
ENG. APPR.	-	-
Q.A.		
TOLERANCES:		
FRACTIONAL: ±0.015"		
ANGULAR: MACH: ± 1° BEND: ± 1°		
TWO PLACE DECIMAL: ±0.01"		
THREE PLACE DECIMAL: ±0.004"		

345D		
LATCH PROTECTION PLATE		
SIZE	DWG. NO.	REV.
A	S-TA00644	-
SCALE: 1:2	WEIGHT: 0.50	SHEET 1 OF 1