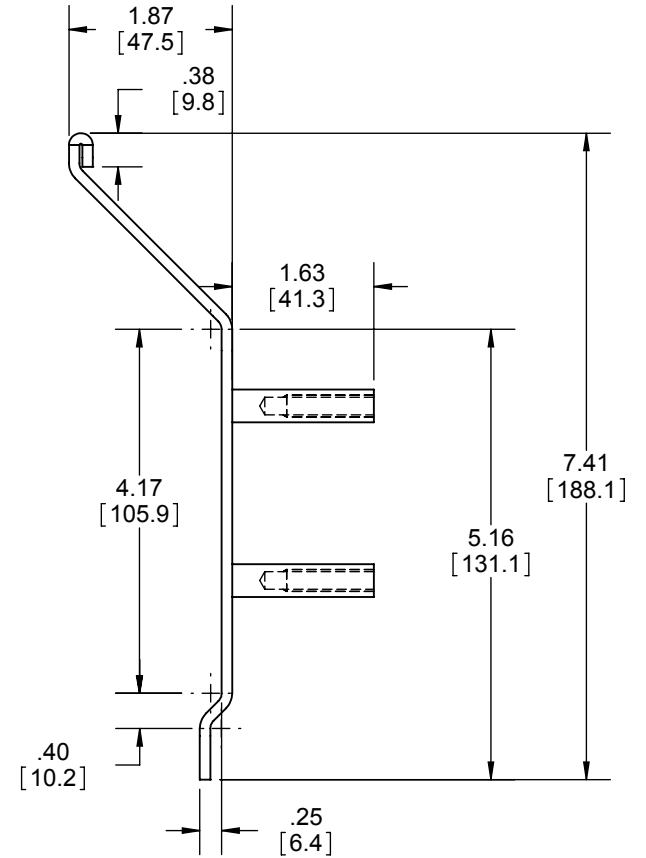
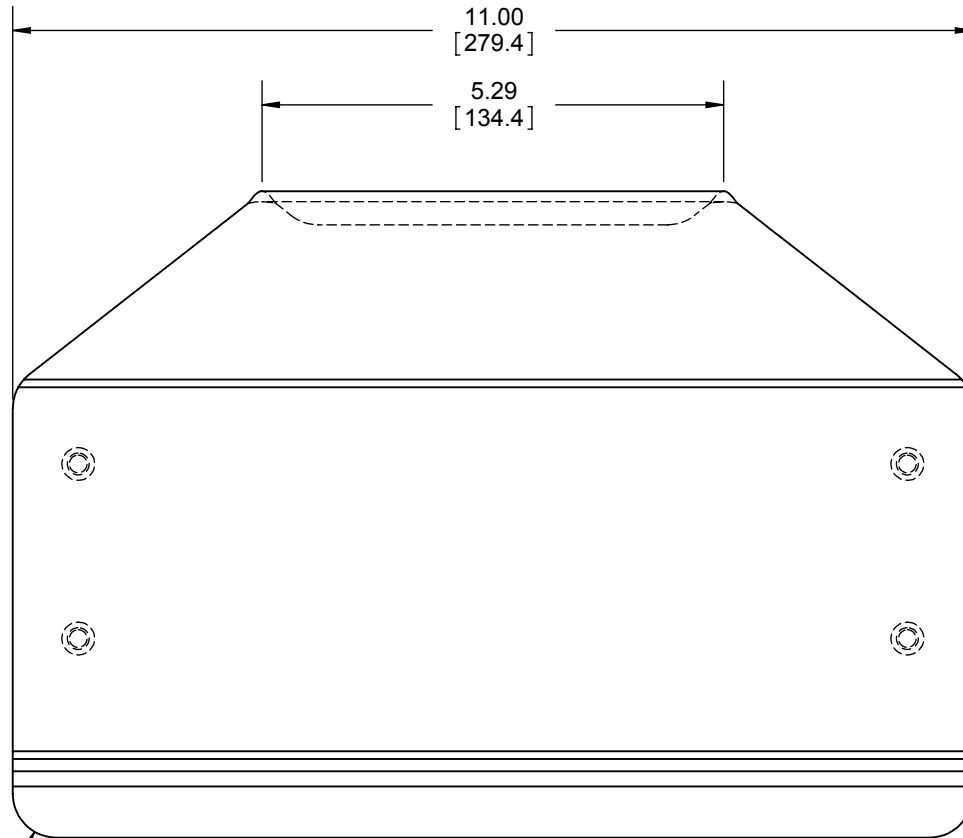


NOTE: MATERIAL: 11 GA STAINLESS STEEL.

REV.	DESCRIPTION	ECO NO.	DATE
-	INITIAL CHECK IN		3/12/2010



R.50 (8 PLCS)  
[12.7]



**PROPRIETARY & CONFIDENTIAL**  
THE INFORMATION CONTAINED IN THIS DRAWING IS THE SOLE PROPERTY OF HAGER COMPANIES. ANY REPRODUCTION IN PART OR AS A WHOLE WITHOUT THE WRITTEN PERMISSION OF HAGER COMPANIES IS PROHIBITED.

HAGER RESERVES THE RIGHT TO MAKE DESIGN CHANGES WITHOUT NOTICE. CALL HAGER ENGINEERING AT 1-800-325-9995 FOR THE LATEST REVISION DATE OF TEMPLATE.

DRAWN	MRJ	4/29/2009
ENG. APPR.	-	-
MATERIAL	AISI 304	
FINISH	US32D	
DO NOT SCALE DRAWING		
TOLERANCES: FRACTIONAL: $\pm 0.015"$ ANGULAR: MACH: $\pm 1^\circ$ BEND: $\pm 1^\circ$ TWO PLACE DECIMAL: $\pm 0.01"$ THREE PLACE DECIMAL: $\pm 0.004"$		

313L DUMMY ANTI-VANDAL PULL	
SIZE	REV.
<b>A</b>	-
DWG. NO.	S-TA00574
SCALE: 1:4	WEIGHT: 3.06
SHEET 1 OF 1	