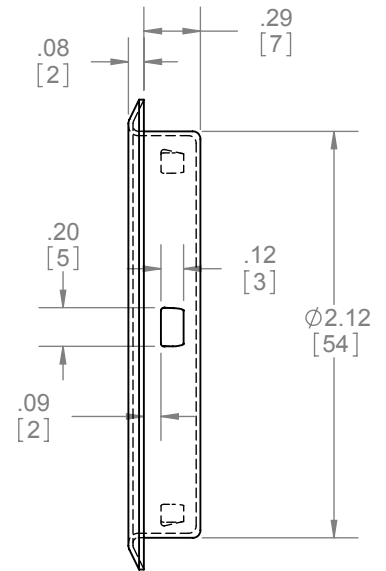
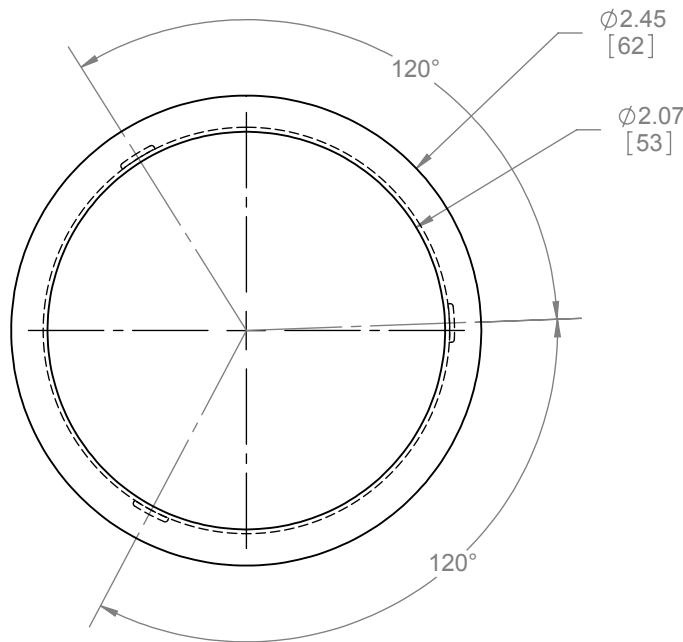
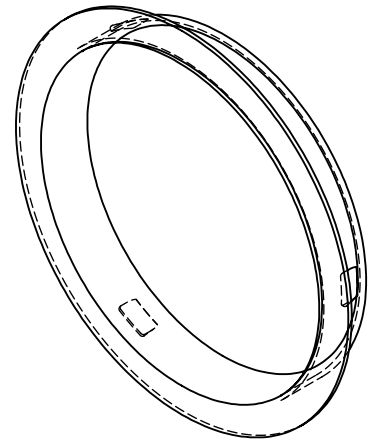


REV.	DESCRIPTION	ECO NO.	DATE
------	-------------	---------	------



HAGER RESERVES THE RIGHT TO MAKE DESIGN CHANGES WITHOUT NOTICE. CALL HAGER ENGINEERING AT 1-800-325-9995 FOR THE LATEST REVISION DATE OF TEMPLATE.

PRIMARY DIMENSIONS SHOWN IN INCHES, DIMENSIONS IN [] ARE MILLIMETERS.

DRAWN	MRJ	6/22/2009
ENG. APPR.		
MATERIAL	Brass	Q.A.
FINISH	N/A	
TOLERANCES: FRACTIONAL: $\pm 0.015"$ ANGULAR: MACH: $\pm 1^\circ$ BEND: $\pm 1^\circ$ TWO PLACE DECIMAL: $\pm 0.01"$ THREE PLACE DECIMAL: $\pm 0.004"$		
DO NOT SCALE DRAWING		

2630 FLUSH CUP PULL		REV.	-+
SIZE	DWG. NO.		
A	S-TA00431		
SCALE: 1:1	WEIGHT: 0.05	SHEET 1 OF 1	