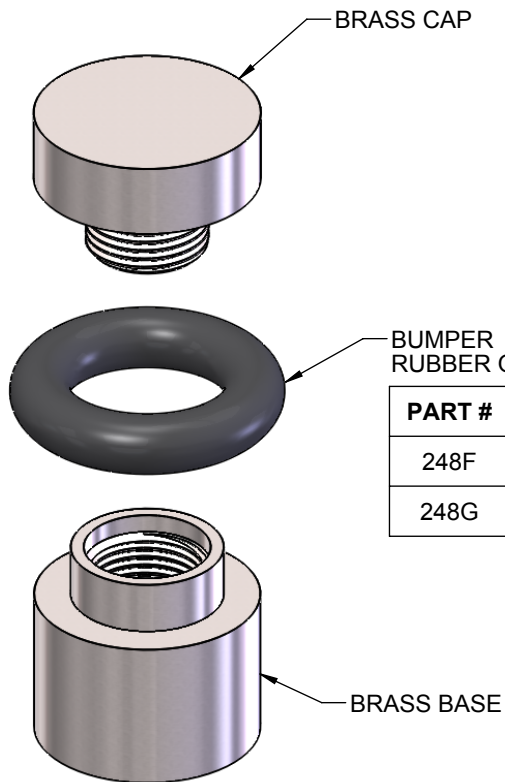
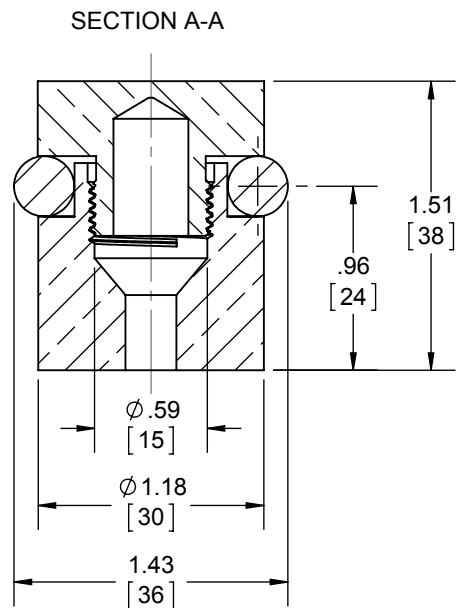


REV.	DESCRIPTION	ECO NO.	DATE
01	RECREATED FOR CUSTOMER	-	10/21/2015

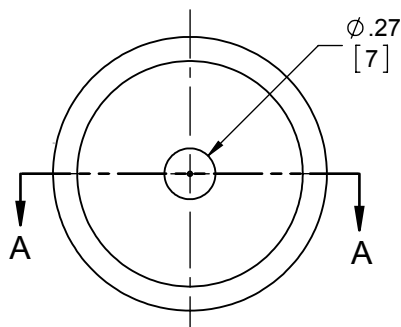


PART #	COLOR
248F	BLACK
248G	GRAY



- HARDWARE:
- (1) #12 x 1-1/4" FPHW SCREW
  - (1) 1/4-24 x 1" FPHM SCREW
  - (1) PLASTIC ANCHOR
  - (1) 1/4-24 LEAD ANCHOR

ALL DIMENSIONS ARE FOR REFERENCE



HAGER RESERVES THE RIGHT TO MAKE DESIGN CHANGES WITHOUT NOTICE. CALL HAGER ENGINEERING AT 1-800-325-9995 FOR THE LATEST REVISION DATE OF TEMPLATE.

PRIMARY DIMENSIONS SHOWN IN INCHES, DIMENSIONS IN [ ] ARE MILLIMETERS.

MATERIAL	BRASS	DRAWN	KJW	10/21/2015
FINISH	US26D	ENG. APPR.	MAM	10/21/2015
DO NOT SCALE DRAWING		Q.A.		
TOLERANCES: FRACTIONAL: $\pm 0.015"$ ANGULAR: MACH: $\pm 1^\circ$ BEND: $\pm 1^\circ$ TWO PLACE DECIMAL: $\pm 0.01"$ THREE PLACE DECIMAL: $\pm 0.004"$				

248F/248G		MODERN STYLE UNIVERSAL STOP	
SIZE	DWG. NO.	REV.	
<b>A</b>	S-TA00384	01	
SCALE: 1:1	WEIGHT: 0.40	SHEET 1 OF 1	