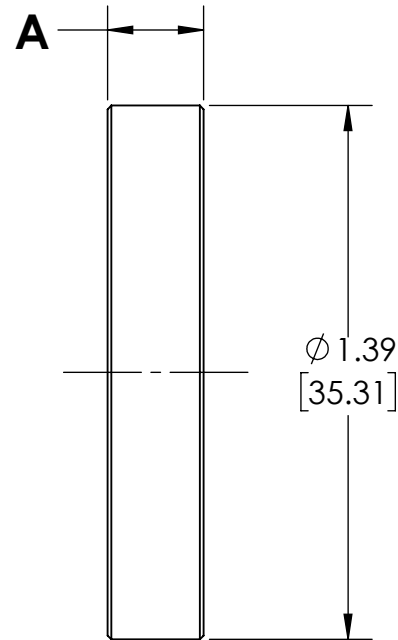
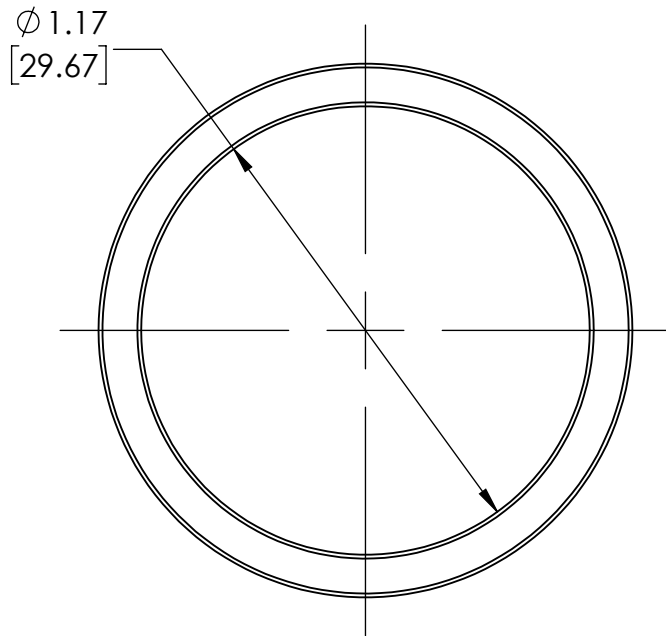
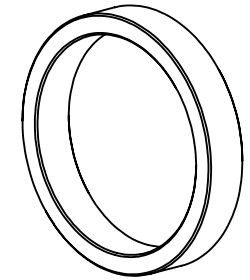



REV.	DESCRIPTION	ECO NO.	DATE
-	CREATED FOR WEB	-	11/7/2017



FINISHES	SIZE OPTIONS (DIM "A")
BGA, CLR, DBA, US10	1/8" [3.2 mm]
	3/16" [4.8 mm]
	1/4" [6.4 mm]
	5/16" [7.9 mm]
	3/8" [9.5 mm]
	1/2" [12.5 mm]
US3, US4, US10B, US26, US26D	1/8" [3.2 mm]
	1/4" [6.4 mm]

PROPRIETARY & CONFIDENTIAL



THE INFORMATION CONTAINED IN THIS DRAWING IS THE SOLE PROPERTY OF HAGER COMPANIES. ANY REPRODUCTION IN PART OR AS A WHOLE WITHOUT THE WRITTEN PERMISSION OF HAGER COMPANIES IS PROHIBITED.

HAGER RESERVES THE RIGHT TO MAKE DESIGN CHANGES WITHOUT NOTICE. CALL HAGER ENGINEERING AT 1-800-325-9995 FOR THE LATEST REVISION DATE OF TEMPLATE.

DRAWN	KJW	11/7/2017
ENG. APPR.	MAM	11/7/2017
MATERIAL	6061 Alloy	
FINISH	SEE CHART	
DO NOT SCALE DRAWING		
TOLERANCES: FRACTIONAL: ±0.015" ANGULAR: MACH: ± 1° BEND: ±1° TWO PLACE DECIMAL: ±0.01" THREE PLACE DECIMAL: ±0.004"		

3968		REV.
ALUMINUM BLOCKING RING		
SIZE	DWG. NO.	
A	S-LS02235	
SCALE: 2:1	WEIGHT: 0.01	SHEET 1 OF 1